

PARTS LIST

MH55M-220/1100



Model(s)
107147107 MH55M-220/1100 FAX 400/360 EU
107147108 MH55M-220/1100 FAX 400/360 EU
107147109 MH55M-220/1100 FAX 400/360 EU
107147121 MH55M-220/1100 FAX 230-400/360 NO

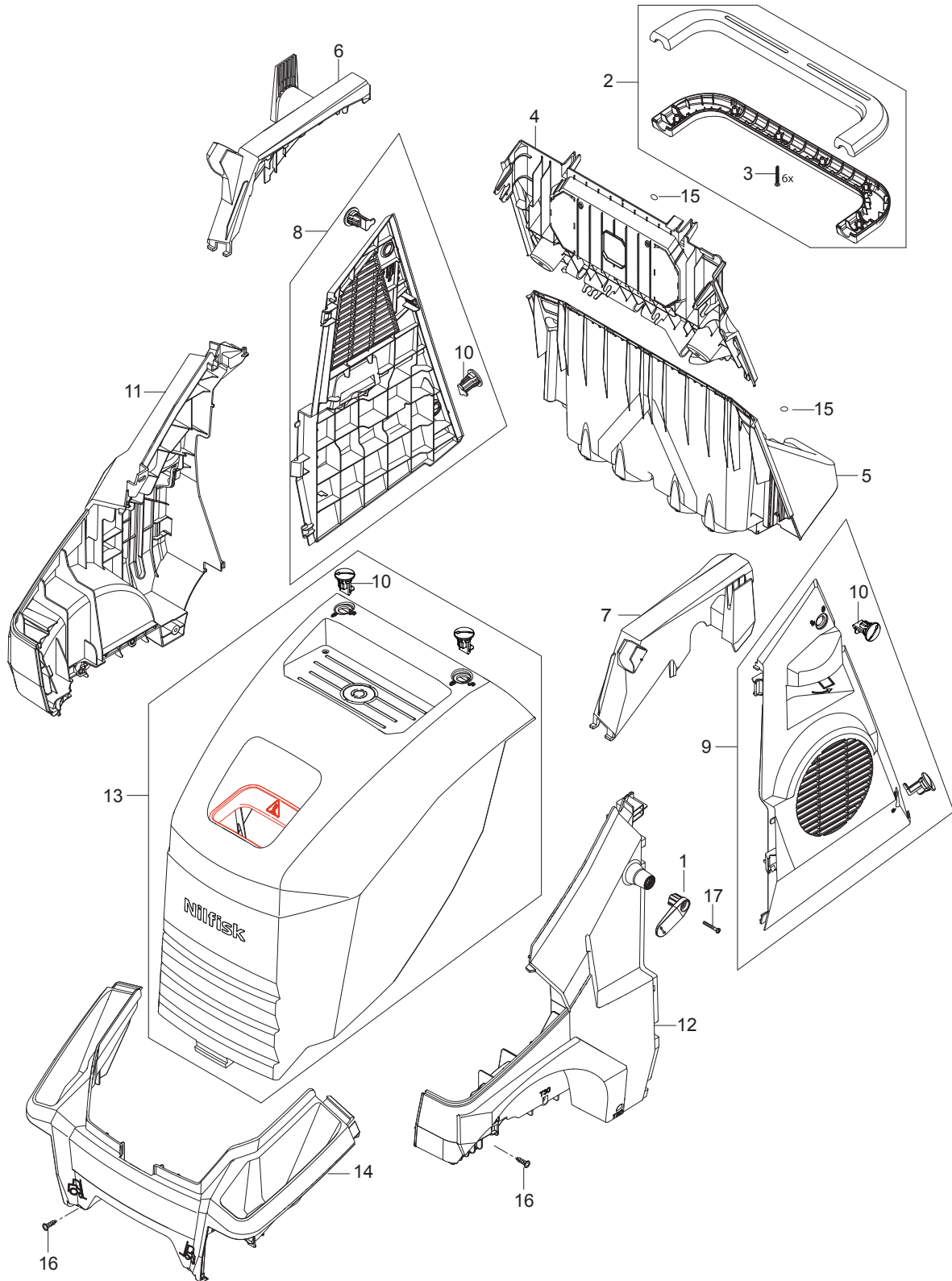
NILFISK

2026.02.09

NILFISK

TABLE OF CONTENTS

CABINET.....	1
CHASSIS LARGE.....	3
MOTOR.....	5
CYLINDER BLOCK.....	7
WATER INLET.....	9
BYPASS VALVE.....	11
BYPASS VALVE HIGH FLOW.....	13
FLOW CONTROL PA 250 BAR.....	15
FLOW CONTROL FA.....	17
EBOX.....	19
EBOX FOR 107147117 + 107147118.....	21
WATER INLET 2.....	23
ANTISCALE TANK AND PARTS.....	25
HEAT EXCHARGER BOILER PARTS.....	27
BURNER UNIT.....	29
DETERGENT SYSTEM.....	31
FUEL TANK 30 LITER.....	33
WATER OUTLET PARTS.....	35
FAN AND FUEL.....	37
EBOX TOP.....	39
EBOX BOTTOM FOR 107147107+107147108+107147109.....	41
EBOX BOTTOM 2 FOR 107147121.....	43
HOSE REEL.....	45
WIRING DIAGRAM FOR 107147107 + 107147108 + 107147109.....	47
WIRING DIAGRAM FOR 107147121.....	49



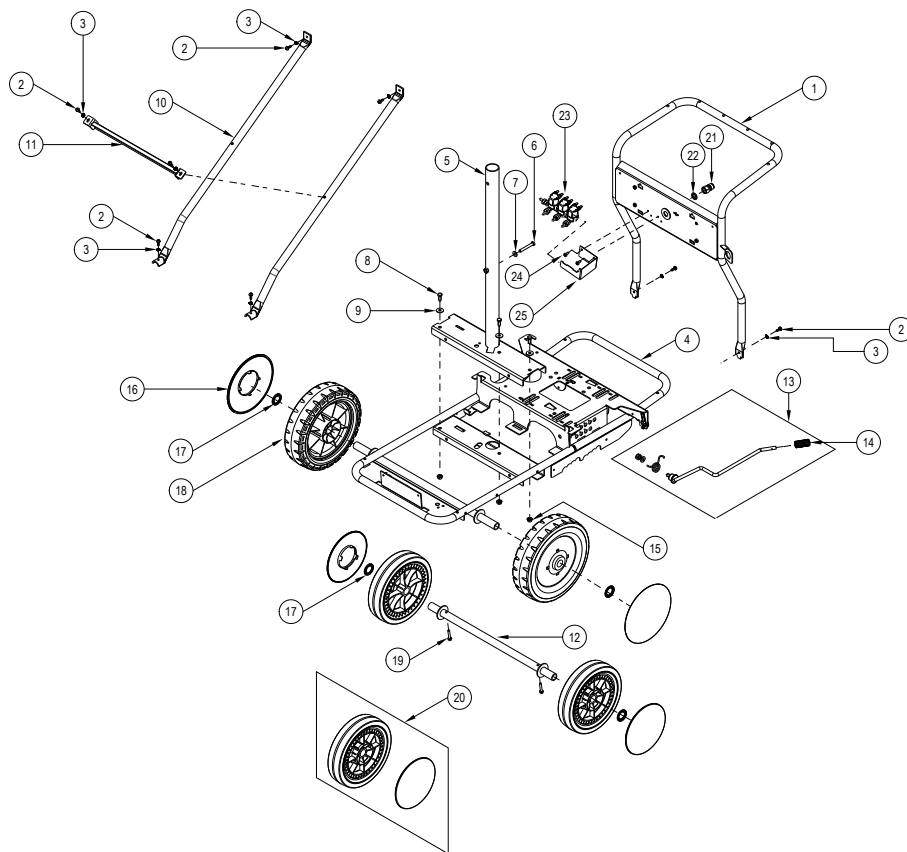
CABINET

MH55M II 220/1100

2026.01.28

2026.01.30

Pos.	Product no	QTY	Description	Notes
1	107148208	1	CABLE HOOK CLAMP BRIGHT BLUE	
2	101118192	1	HANDLE KIT	
3	107148209	6	SCREW K40X30 TORX 20 WN1452	
4	107143013	1	REAR END TOP	
5	107143014	1	REAR END BOTTOM	
6	107143021	1	COVERING FOR HANDLE RIGHT	
7	107143022	1	COVERING FOR HANDLE LEFT	
8	107143023	1	DOOR W/LOCKS MPU NA5-NA6 RIGHT	
9	107143019	1	DOOR LEFT W/LOCKS	
10	301001261	2	LOCKING BOLT D29X35	
10	107148240	1	LOCKING BOLT	
11	107143012	1	SIDE BUMPER SMALL RIGHT	
12	107143011	1	SIDE BUMPER SMALL LEFT	
13	101118373	1	CABINET MH 5 NILFISK KIT	
14	107143015	1	FRONT BUMPER	
15	107143009	2	BLIND PLUG D16.5 FOR T30 BLACK PE	
16	107143018	12	SCREW M6X16	
17	107141838	1	SCREW K50X18 WN1451 BLACK TORX20	



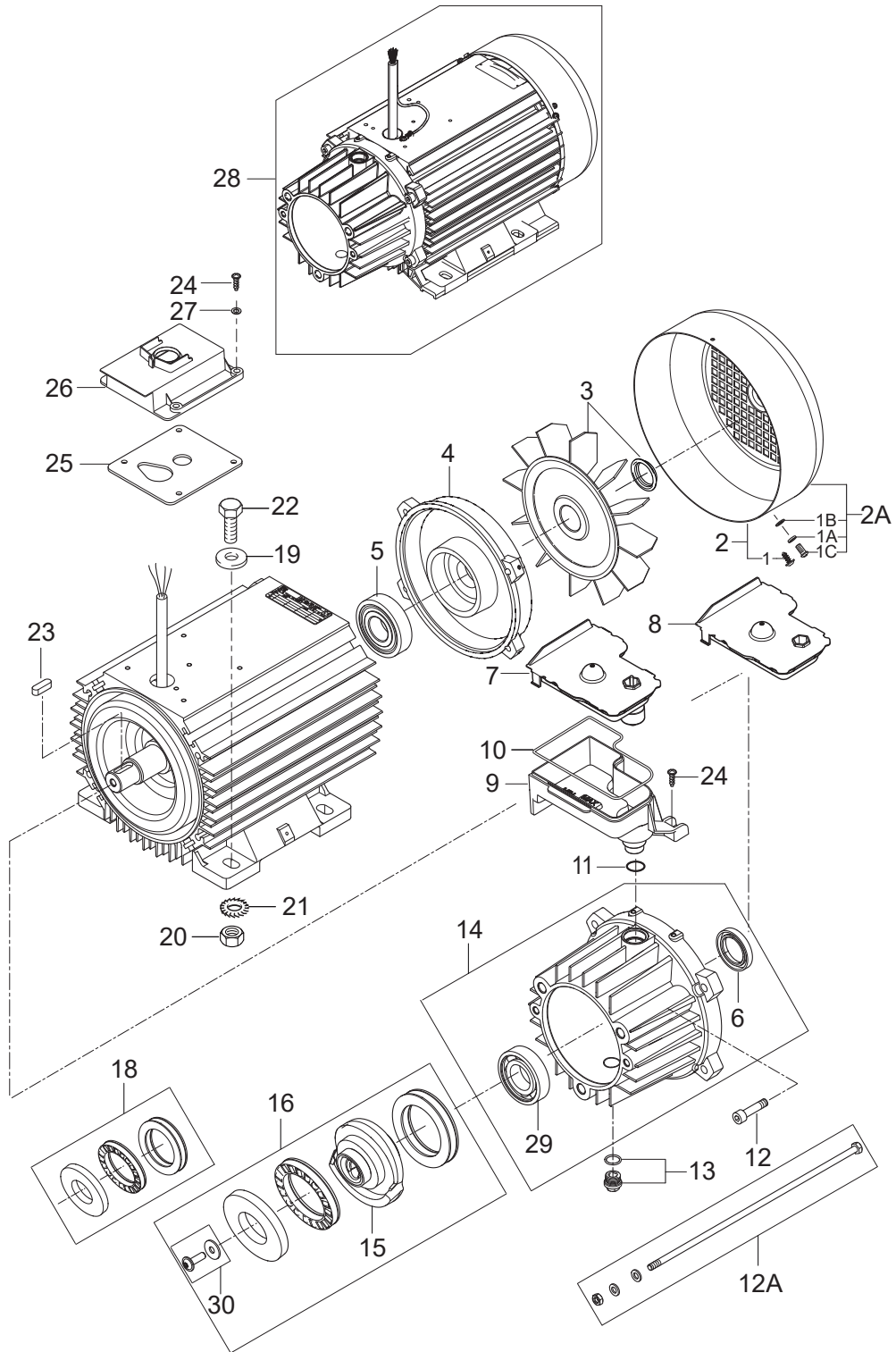
CHASSIS LARGE

MH55M II 220/1100

2026.01.28

2026.01.30

Pos.	Product no	QTY	Description	Notes
1	31001157	1	FRAME HANDLE	
2	107143018	1	SCREW M6X16	
3	107143146	6	WASHER SERRATED M6	
4	31001403	1		
5	31001404	1		
6	3453	1	SCREW M8X60	
7	1800796	1	WASHER M8	
8	700510107	3		
9	2793	3	WASHER 8.4X2	
10	31001405	1		
11	31001406	1		
12	31001160	1	WHEEL AXLE REAR	
13	101118383	1	BRAKE ARM LONG KIT	
14	107148224	1	BRAKE KNOB BRIGHT BLUE	
15	61467	3	HEXAGON NUT M8	
16	107148226	1	WHEEL Ø300X80 (RT)	
17	107148227	4	CLAMING RING 225	
18	107148225	1	WHEEL CAP FOR D300X80	
20	101118381	1		
21	107143027	2	SCREW M6X35 SW10 DIN7500D FZB	
21	107148221	1	NIPPLE F. Q-COUPLING 3/8INCH HP	
22	1801075	1	PACK.RING D23.8XD14.96 3/8NBR SELF-CENT.	
23	107148184	1	SOLENOID VALVE 3IN 1OUT	
24	107141690	2	SCREW M5X12 DIN7985 TORX TAPTITE	
25	107148177	1	BRACKET FOR SOLENOID VALVE	



Pos.	Product no	QTY	Description	Notes
	31001229	1	OIL ISO 150 ALPHASYN-T 20L	
0	5218433	1	PUMP OIL 150 1X1 1L	
1		1		
1A		1		
1B		1		
1C	31000488	1	SCREW M5X8 CYLINDER HEAD PH NOTCH RF	
2	107144127	1	FAN COVER - EME	[1]
2A	107144126	1	FAN COVER RF	
3	107144124	1	FAN W/LOCK RING - EME	
3	107144125	1	FAN W LOCK RING RF	
4	31000148	1	REAR BEARING COVER RF	
4	31000150	1	REAR BEARING COVER EME	
5	31000149	1	REAR BEARING 6306 2Z C3 150 DEGREES RF	
5	31000151	1	REAR BEARING EME	
6	G120414	1	OIL SEALING RING Ø30XØ47X7	
7	107140883	1	OIL CONTAINER TOP W/LEVEL SENSOR	
8	107140877	1	OIL CONTAINER TOP	
9	107140879	1	OIL CONTAINER BOTTOM	
10	101406054	1	SPONGE RUBBER Ø 4 1M	
11	3004221	1	O-RING 16X2 NBR 70SH	
12	2751	4	HEX. SCREW M8X35 ISO 4017 ZN	
12A	31000505	1	STAY BOLT M8X290 RF	
12A	31000504	1	STAY BOLT M8X265 RF	
13	107141982	1	OIL PLUG W/O-RING AND MAGNET NA5.2	
14	107141967	1	D-BEARING COVER COMPLETE NA5.2	
15	107141966	1	WOBBLE DISC 12 DEG. NA5.2	
16	101118241	1	WOBBLE DISC 12 DEG. BEARING KIT NA5.2	
18	101118240	1	BEARING KIT FA & PA - NA5.2	
19	2767	7	WASHER 10.5 X 20 X 2	
20	1800465	4	NUT M10 DIN 934	
21	10204	4	SERRATED LOCK WASHER A10	
22	8927	4	HEXAGON HEAD CAP SCREW M10X 35 ISO 4017	
23	19639	1	PARALLEL KEY 8X7X25 A DIN 6885 ST	
24	107140881	2	SCREW M5X12 DIN 7985 TORX	
25	107140875	1	SEALING BETWEEN E-BOX AND MPU	
26	107140876	1	COVER FOR E-BOX ON MOTOR	
27	2767	4	WASHER 10.5 X 20 X 2	
28	107141953	1	MOTOR 6.7KW 220-440/230-400/3 50/60HZ-EU	
29	107144817	1	BEARING KBC 6206 GB/T818	
30	107142658	1	NA5.2 WD SCREW AND WASHER	

Part Notes:

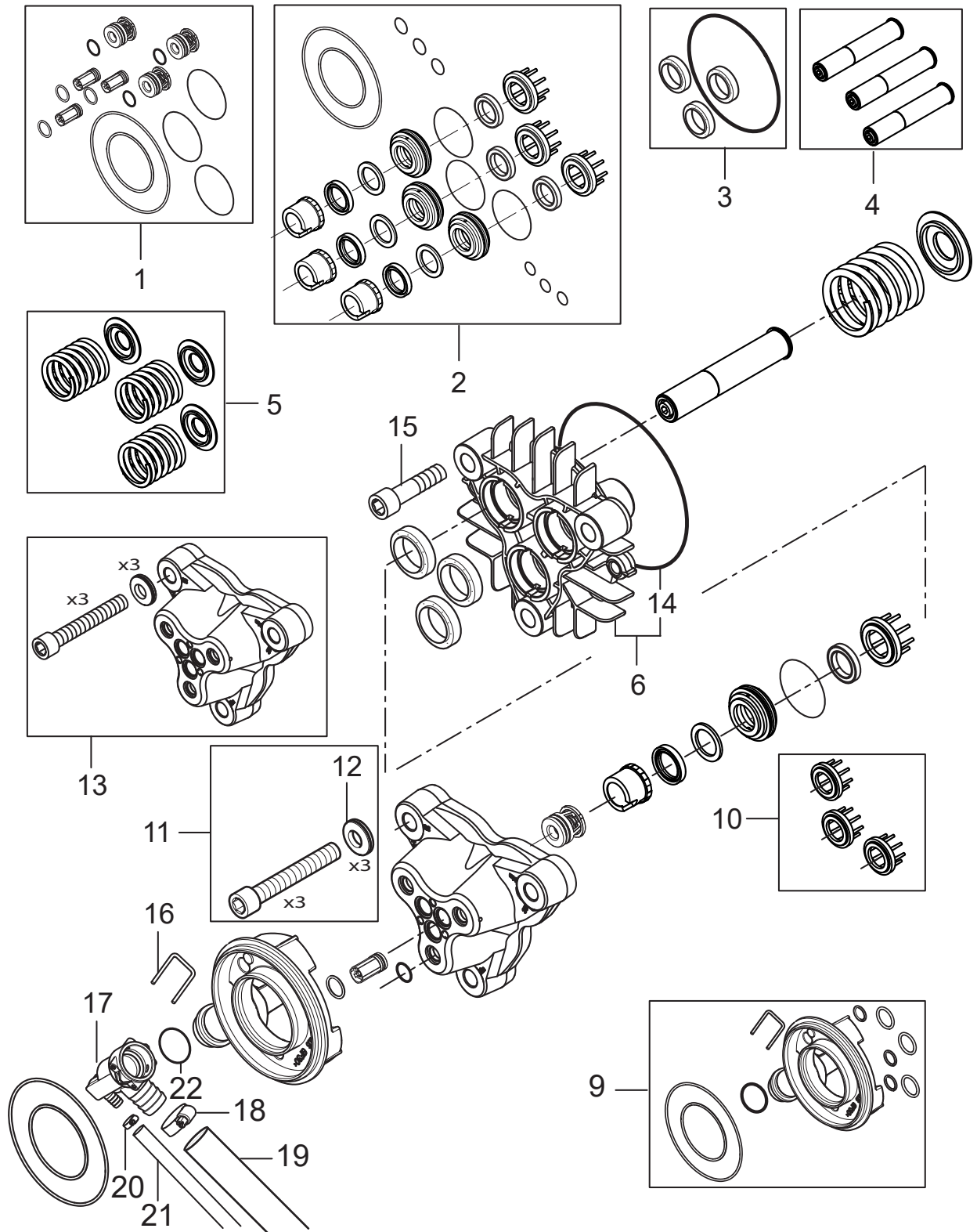
[1] - GUARANTEE DATE EXPIRED

CYLINDER BLOCK

MH55M II 220/1100

2026.01.28

2026.01.30



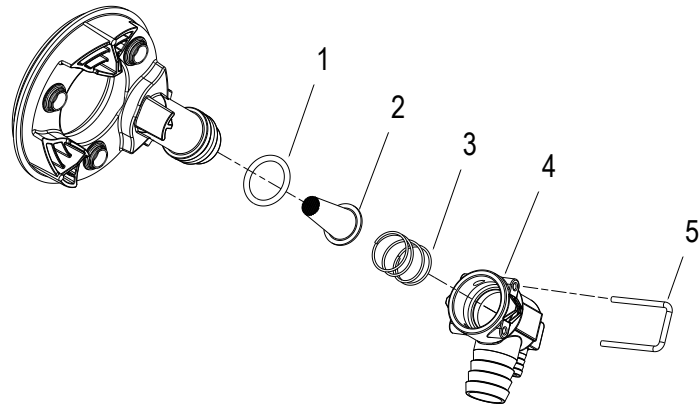
CYLINDER BLOCK

MH55M II 220/1100

2026.01.28

2026.01.30

Pos.	Product no	QTY	Description	Notes
1	101118121	1	VALVE KIT - NA5	
2	101118256	1	WATER SEAL NA5 HEAVYDUTY HOT SUCTION KIT	
3	107144102	1	OIL SEAL KIT - NA5	
4	101118239	1	PISTON KIT - NA5.2	
5	107144104	1	SPRING KIT - NA5	
6	107141983	1	CYLINDER BLOCK W/ O-RING NA5.2	
9	101118147	1	INLET MANIFOLD KIT NA5	
10	107140919	1	SUPPORT RING NA5 SPARE VPE 3	
11	107141968	1	CYL.SCREW M12X80 WITH NORDLOCK WASHER	
12	107141969	3	WASHER NLX12SP D12.5XD25.4X4.2MM	
13	107141985	1	CYLINDER HEAD NA5.2 W. SCREWS & WASHERS	
14	107141512	1	O-RING D114 X D1.78 NBR 72	
15	4042	2	CYLINDER SCREW M8X40 ISO 4762 8.8 ZN	
16	107143085	1	LOCK PIN	
17	107143142	1	WATER LIMITER L	
18	8298	2	HOSE CLIP 16-27	
19	107143031	1	FUELFLEX HOSE D28/D20 10BAR/20°	
20	11654	1	HOSE CLAMP Ø11.5	
21	106408243	1	HOSE 1/4INCH TRANSPARENT - 5 METERS	
22	107143088	1	O-RING 18.72X2.62	



WATER INLET

MH55M II 220/1100

2026.01.28

2026.01.30

Pos.	Product no	QTY	Description	Notes
1	107143088	1	O-RING 18.72X2.62	
2	107143751	1		
3	102602570	1		
4	107143142	1	WATER LIMITER L	
5	107143085	1	LOCK PIN	

BYPASS VALVE

MH55M II 220/1100

2026.01.28

2026.01.30

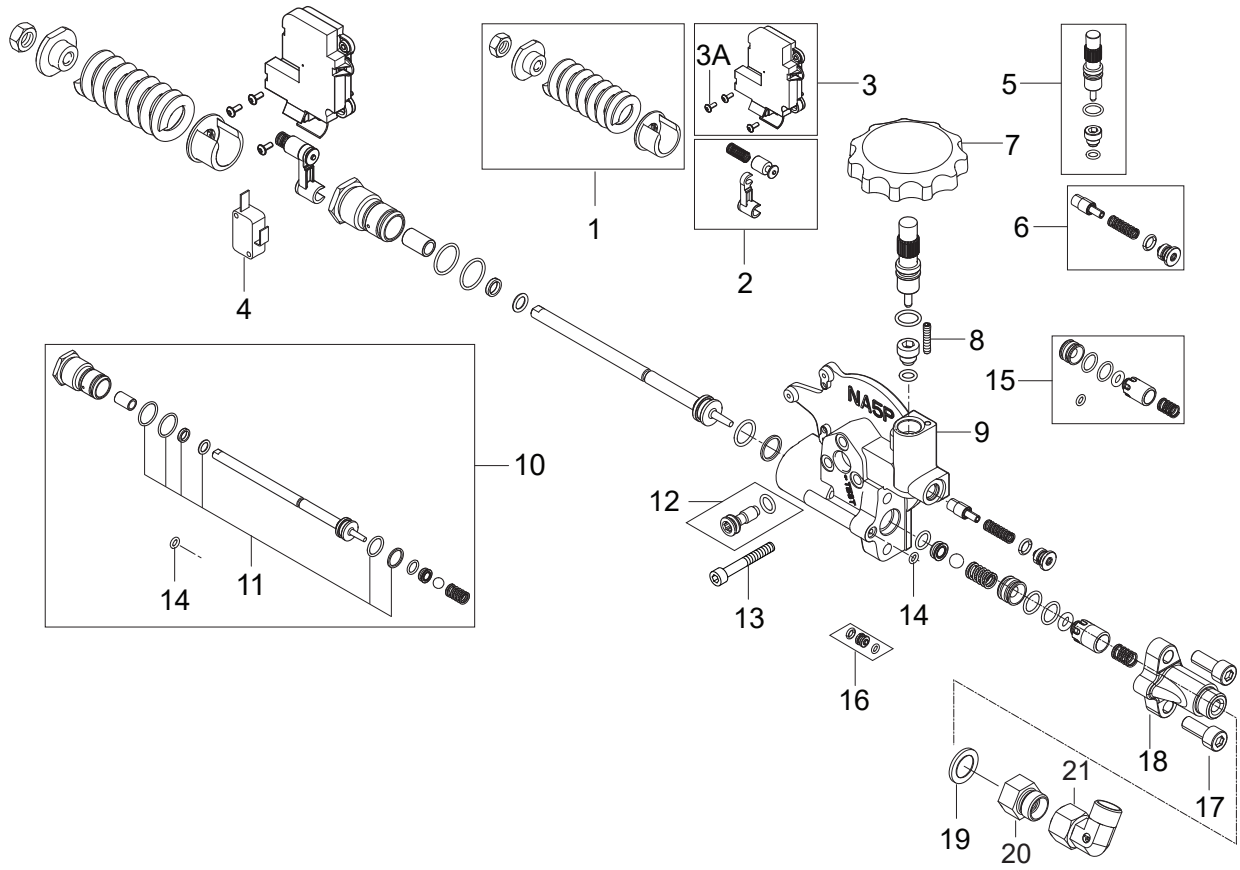
Pos.	Product no	QTY	Description	Notes
1	5100	3	SCREW M6X45 ISO 4762	
2	107144137	1	UNLOADER PLUG NA5	
3	6221529	1	COVER FOR VALVE HOUSING	
4	101118183	1	PISTON KIT FOR VENTING VALVE	
5	101117890	1	HOUSING FOR VENTING VALVE	
6	3001740	1	O-RING 7.66X1.78 NBR 70SH	
7	107144112	1	VENTURI TUBE D2.03 NATURE	
8	101117924	1	PLUG FOR MPU 1/8	
9	101118184	1	RETURN VALVE BY-PASS - KIT MH	
10	1821	1	FITTING XGE 6LR1/8	
11	3001740	1	O-RING 7.66X1.78 NBR 70SH	
12	107143111	1	NA5 FA BYPASS VALVE MACHINED	
13	106408196	1	WASHER D12.95 X D4.6 X 0.9 BRASS	
14	106408195	1	RETAINING RING SIZE 13 DIN472	
15	106408189	1	NUT M8 X 1 FOR UNLOADER VALVE FA	
16	107146563	1	SCREW POINTED DIN 913 M4X16 FZG	
17	107148231	1	REGULATOR KNOB NA5-NA6 BRIGHT BLUE	
18	101118050	1	SEALING KIT FOR NA6	
19	101118051	1	PLUG FOR UNLOADER VALVE FA - KIT NA6	
20	101118117	1	CONTROL UNIT - KIT NA5	
21	6100928	1	LOCK NUT	
22	6100940	1	ADJUSTMENT SCREW, 250 BAR	
23	3001070	1	O-RING 13.1X1.6 NBR 90SH	
24	1802644	1	BALL Ø7 G40 WKS 1.4034	
25	101118118	1	OPENING VALVE REP. KIT NA5 NA6 FA	
26	1601079	1	THREADED CONNECTION	
27	1801075	1	PACK.RING D23.8XD14.96 3/8NBR SELF-CENT.	
28	101118094	1	COUPLING KIT 90D ISO 8434 M18X1.5 THREAD	
29	107143005	1	PLATE FOR REG. KNOB	
30	107146562	1	SCREW M4X30 POINTED DIN 413	
31	107146561	1	PIN DIA 3 X 18MM STAINLESS STEEL	
NS	107144142	1	SCREW KIT PUMP NA5	

BYPASS VALVE HIGH FLOW

MH55M II 220/1100

2026.01.28

2026.01.30



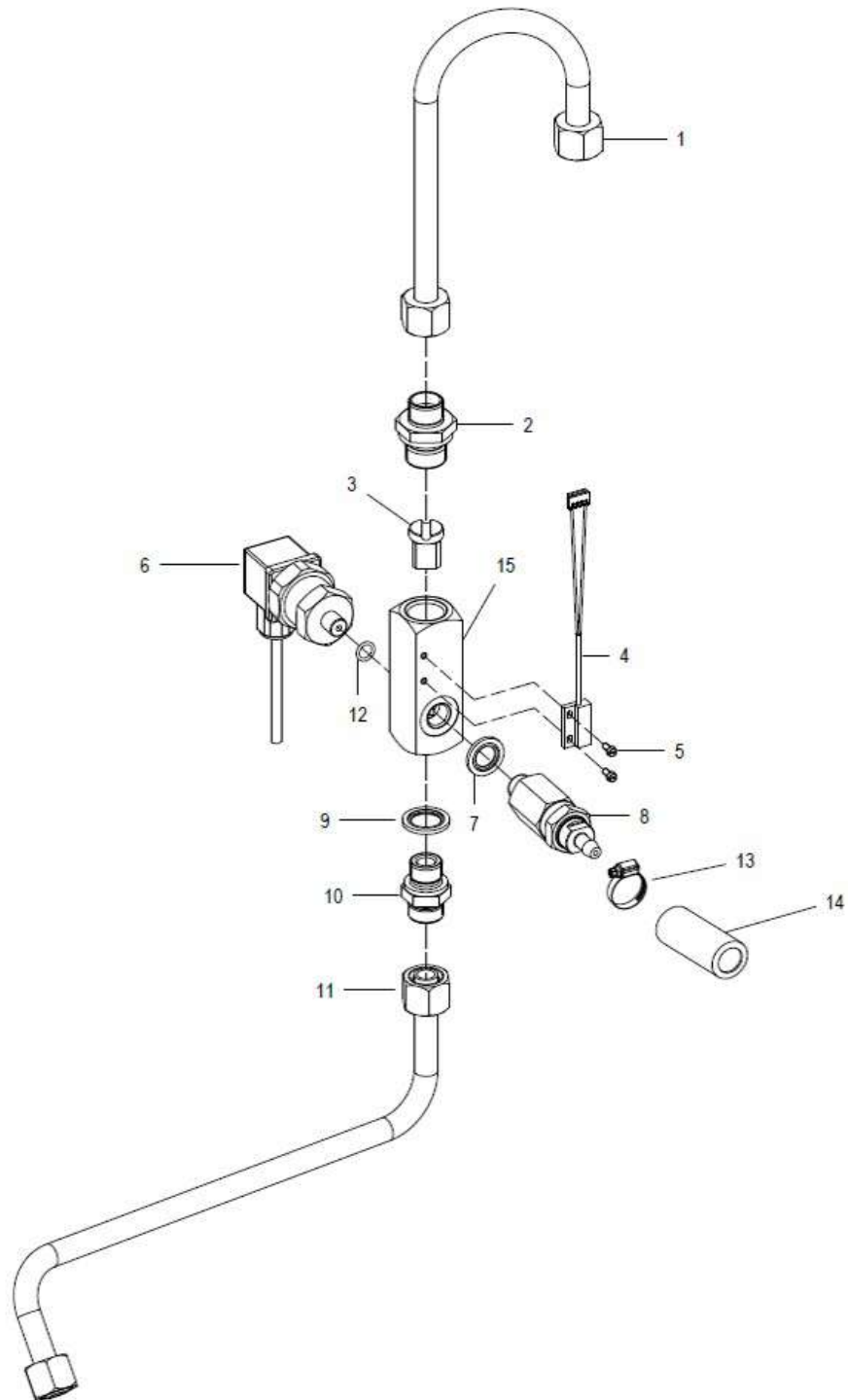
BYPASS VALVE HIGH FLOW

MH55M II 220/1100

2026.01.28

2026.01.30

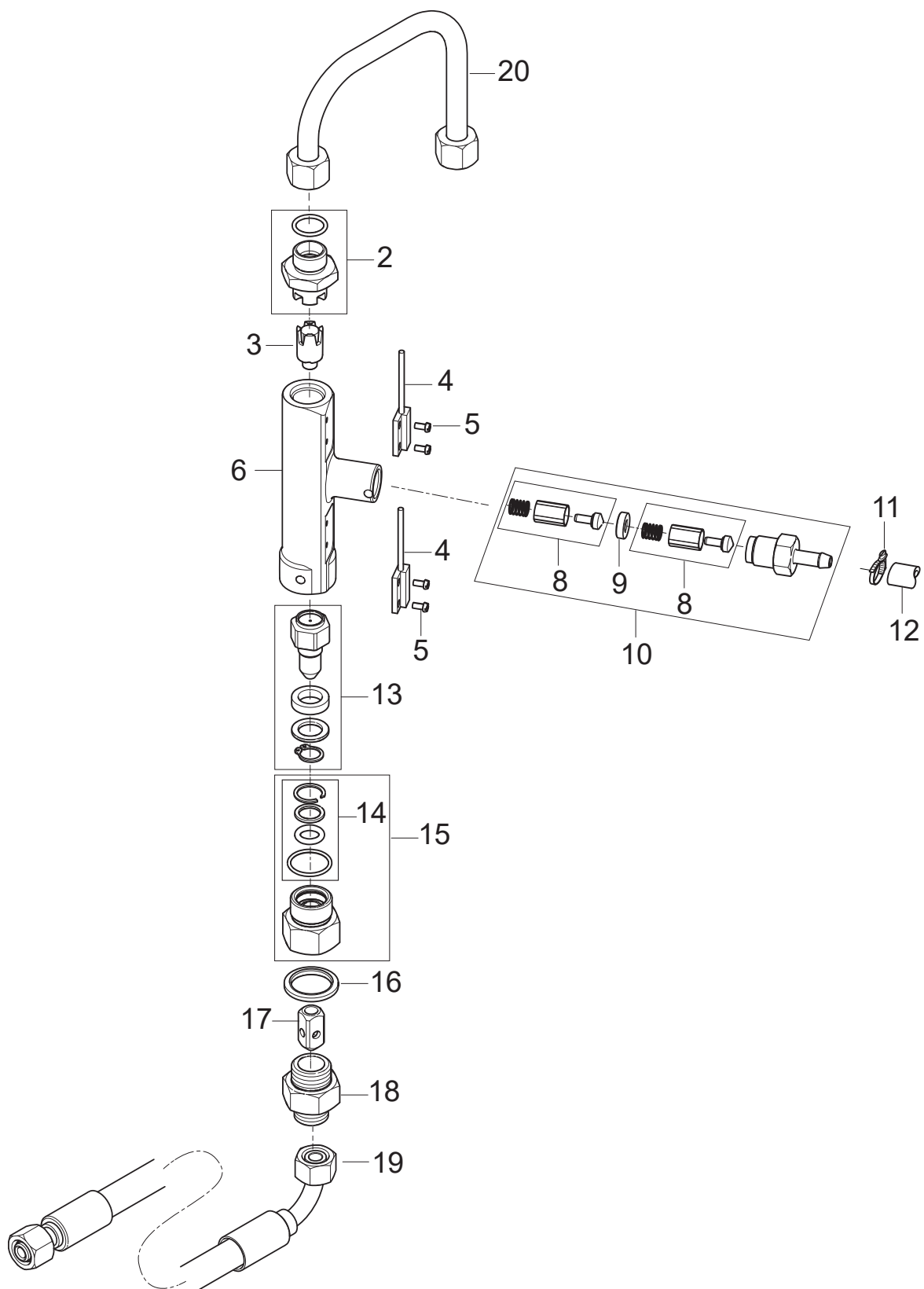
Pos.	Product no	QTY	Description	Notes
1	101118091	1	UNLOADER SPRING REP. KIT-PAINTED NA5 PA	
2	101118090	1	MICROSW. ACTIVATION REP. KIT NA5 PA	
3	101118084	1	MICROSWITCH BOX W/O MICROSW. NA5 PA	
3A	107141515	3	SCREW M3X8 ISO7380 FZG TORX 10	
4	101118188	1	MICRO-SWITCH KIT	
5	101118313	1	FLOW REGULATION VALVE KIT	
6	101118314	1	PRESSURE BUILD UP VALVE HIGH FLOW KIT	
7	107148231	1	REGULATOR KNOB NA5-NA6 BRIGHT BLUE	
8	106408188	1	SCREW M4X20 POINTED DIN 913	
9	107140884	1	UNLOADER PA NA5	
10	101118294	1	STEM + SEALING REP. KIT NA5/5.2/6/6+ PA	
11	101118083	1	SEAL KIT FOR STEM FOR NA5 PA	
12	107144137	1	UNLOADER PLUG NA5	
13	5100	3	SCREW M6X45 ISO 4762	
13	107144142	1	SCREW KIT PUMP NA5	
14	107141514	1	O-RING D4 X D1.5 NBR 90	
15	101118254	1	HOLDING PRESSURE VALVE REP. KIT NA5.2 PA	
16	101118316	1	DAMPER SEAT WITH O-RING KIT	
17	8894	2	SCREW DIN 912 M8 X 20 8.8 FZB	
18	107143110	1	NA5 PA OUTLET MACHINED	
19	107143107	1	PACKING RING D23.8XD17.28X2	
20	107143090	1	ADAPTOR IN 3/8 OUT M18X1.5	
21	101118094	1	COUPLING KIT 90D ISO 8434 M18X1.5 THREAD	



Pos.	Product no	QTY	Description	Notes
1	101118321	1	HP HOSE AND CONNECTION PIPE NA5 PA/B5	
2	107143122	1	THREADED CONNECTION D12X1/2 INCH	
3	101117798	1	MAGNET HOUSING CPL. KIT	
4	107143121	1	REED SWITCH NO W/CABLE	[1]
5	101118033	2	SCREW M3X6 BRASS DIN 84 ISO 1207 KIT	
6	107148198	1	PRESSURE TRANSDUCER	
7	1803493	1	PACKING RING Ø 20.57X Ø 13	
(7a)	31001401	1	Wire for pressure transducer	
8	101118292	1	OPENING PRESSURE VALVE 250 BAR KIT	
9	1801075	1	PACK.RING D23.8XD14.96 3/8NBR SELF-CENT.	
10	1601079	1	THREADED CONNECTION	
11	107143171	1	HP HOSE DN10 505 DKL-DKL 90D	
12	32014	1	O-RING 7.5X1X5 NBR 70SH	[2]
13	301001133	1	HOSE CLAMP 10/7	
14	700950012	1	HOSE 1/4C WP 20 BAR W/NETTING	
15	101118306	1	FLOW CONTROL HOUSING PA	

Part Notes:

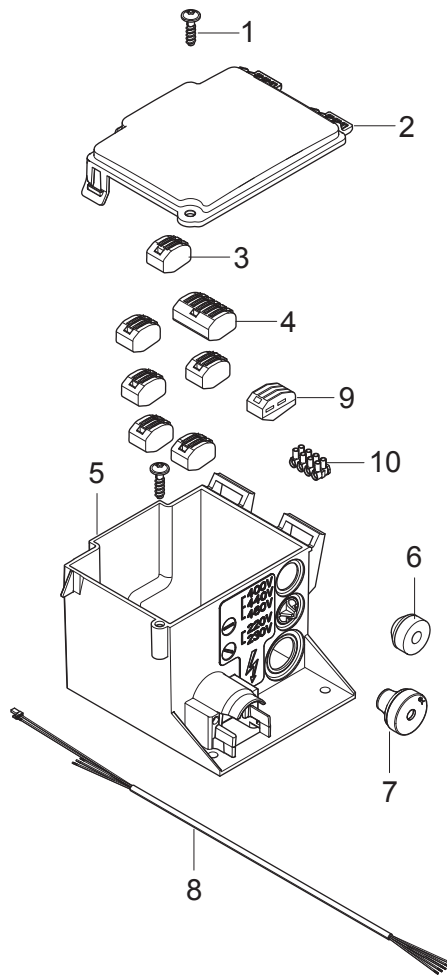
- [1] - TSB-HPW-2025-003 Reed switch 107143121 torque and packaging
- [2] - GUARANTEE DATE EXPIRED



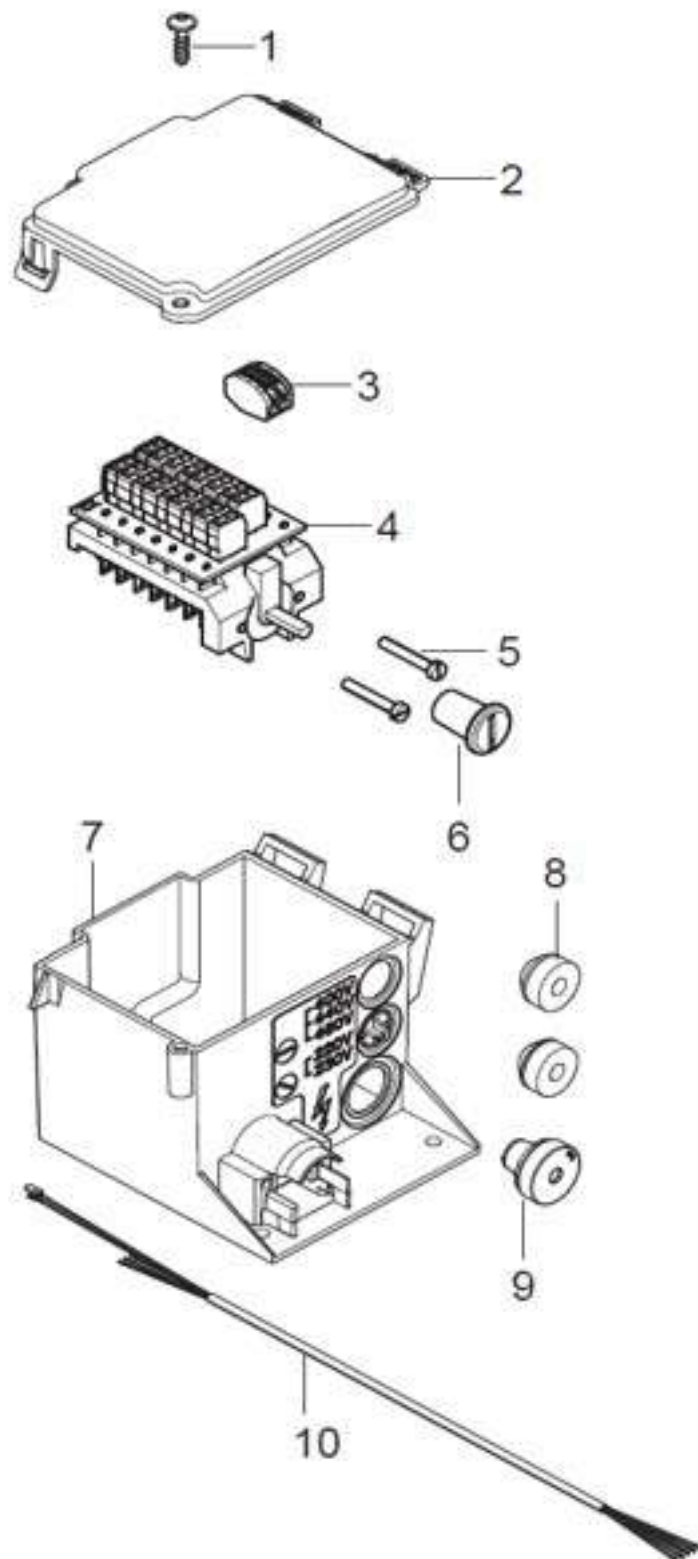
Pos.	Product no	QTY	Description	Notes
2	101118190	1	MALE STUD M18X1.5 KIT	
3	101118055	1	MAGNET AND HOUSE FOR FLOW SWITCH-KIT NA6	
4	107143121	2	REED SWITCH NO W/CABLE	[1]
5	101118033	4	SCREW M3X6 BRASS DIN 84 ISO 1207 KIT	
6	101118308	1	FLOW CONTROL HOUSING FA	
8	1119566	2	NON RETURN VALVE REP.KIT	
9	6201535	1	SEAT	
10	1119318	1	NON RETURN VALVE REP.KIT	
11	11654	2	HOSE CLAMP Ø11.5	
12	101406100	0.92	HOSE DN 6X3 5M	
13	101117896	1	NON RETURN VALVE W/MAGNET	
14	101118191	1	SEALING KIT FOR MALE STUD	
15	101118230	1	MALE STUD F.NON-RET.VALVE 1/2"-M22X1-KIT	
16	1807932	1	SELF-SEALING WASHER	
17	6101038	1	PISTON	
18	107143155	1	PISTON HOUSING 1/2" - M18X1.5	
19	107143171	1	HP HOSE DN10 505 DKL-DKL 90D	
20	107143188	1	PIPE FLOW CONTROL NA5/6 / B5	

Part Notes:

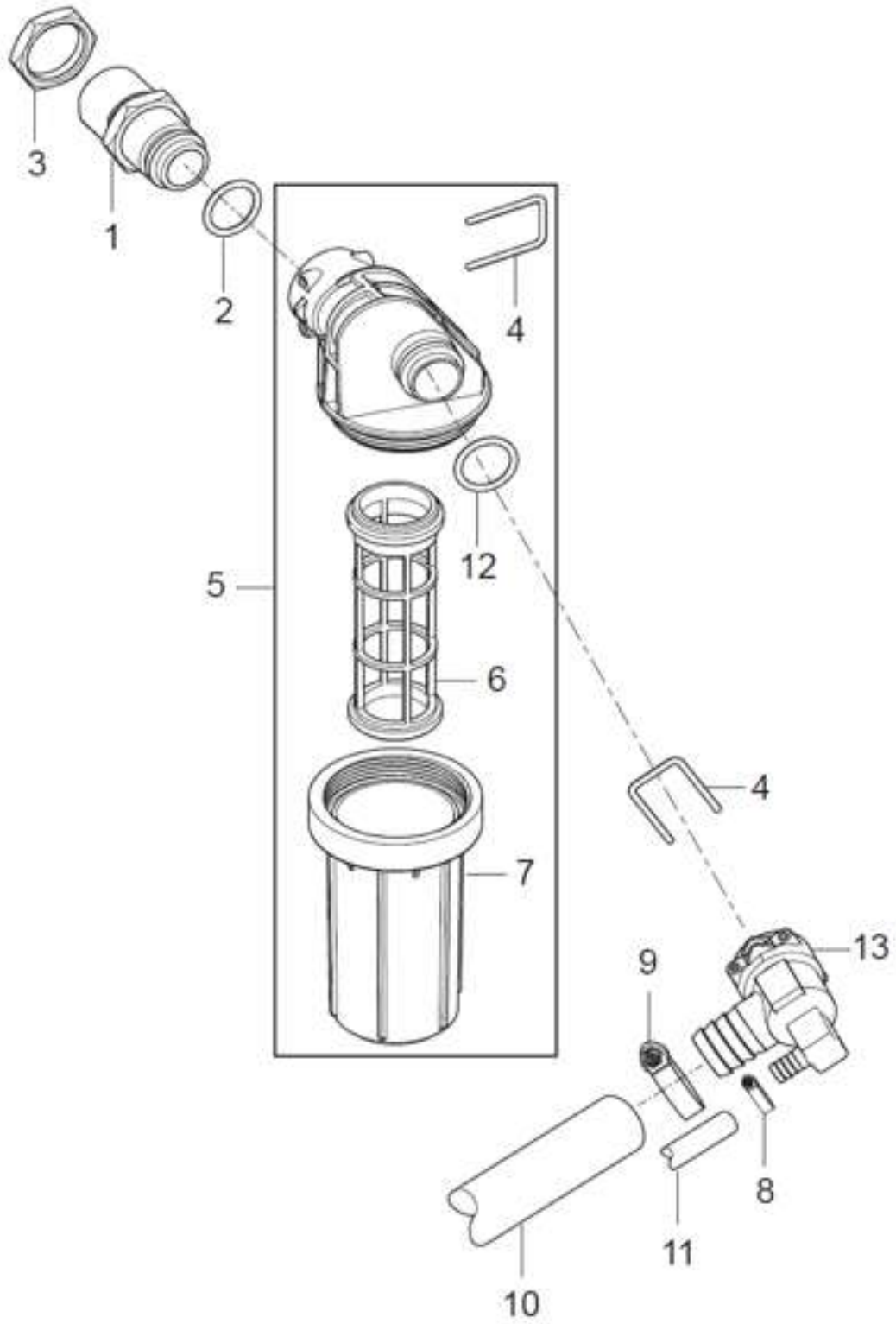
[1] - TSB-HPW-2025-003 Reed switch 107143121 torque and packaging



Pos.	Product no	QTY	Description	Notes
1	107141838	1	SCREW K50X18 WN1451 BLACK TORX20	
2	301000782	1	COVER ELEC.BOX 128.2X112.	
3	107143069	6	SNAP TERMINAL 2 POL	
4	301002165	1	CABLE CLAMP TERMINAL 5POL WAGO 222-415	
5	107143074	1	E-BOX	
6	3803764	1	RUBBER SEAL TET 5-7C	
7	3803772	1	CABLE GROMMET TET 7-10C	
8	107143071	1	MOTOR CABLE 5G2.5 FOR STAR/DELTA	
9	107143069	1	SNAP TERMINAL 2 POL	
10	107143158	1	TERMINAL BLOCK 4-POL 10MM2	



Pos.	Product no	QTY	Description	Notes
1	107141838		SCREW K50X18 WN1451 BLACK TORX20	
2	301000782	1	COVER ELEC.BOX 128.2X112.	
3	107143069	1	SNAP TERMINAL 2 POL	
4	107143073	1	PCB SWITCH STAR/DELTA	
5	101117739	1	SCREW HEX M4X22-8.8 A2K DIN912	
6	64580	2	ROTARY KNOB	
7	107143074	1	E-BOX	
8	3803764	1	RUBBER SEAL TET 5-7C	
9	3803772	2	CABLE GROMMET TET 7-10C	
10	107143071	1	MOTOR CABLE 5G2.5 FOR STAR/DELTA	
NS	107143070	1	CABLE FOR MT	
NS	107143072	1	CABLE F. POWER TRANSFORMER PRIM 230/400	



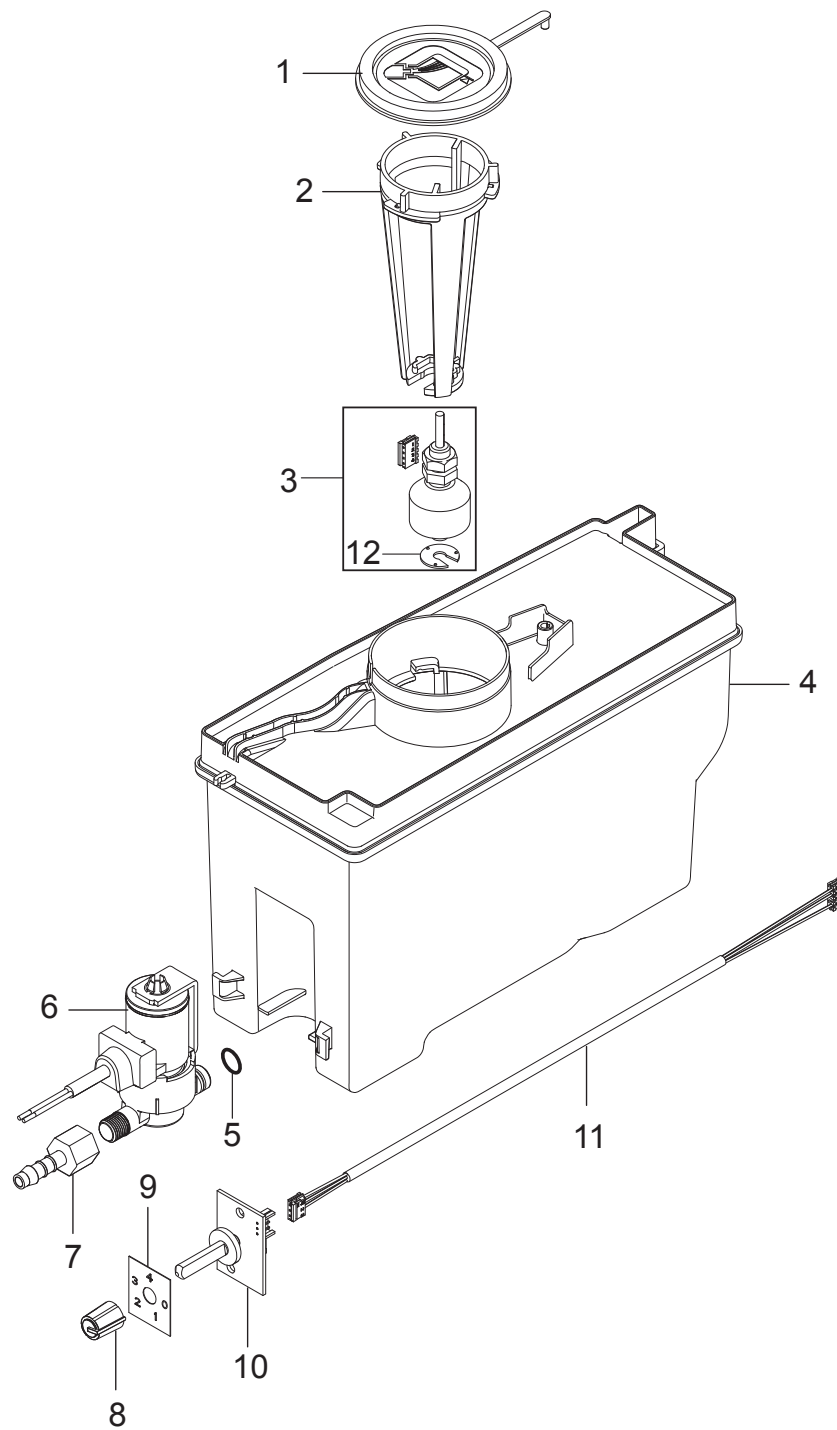
WATER INLET 2

MH55M II 220/1100

2026.01.30

2026.01.30

Pos.	Product no	QTY	Description	Notes
1	107143086	1	FITTING FOR WATER INLET	
2	107143088	2	O-RING 18.72X2.62	
3	1800341	1	LOCK NUT 3/4IN	
4	107143085	2	LOCK PIN	
5	107143705	1	FILTER WATER INLET 5000MM2 50 μ MH BLUE	
6	31001100	1	FILTER CARTRIDGE WITHOUT FLANGE	
7	31001011	1	GLAS FOR WATER FILTER	
8	11654	1	HOSE CLAMP Ø11.5	
9	8298	1	HOSE CLIP 16-27	
10	107143031	1	FUELFLEX HOSE D28/D20 10BAR/20°	
11	101406100	1	HOSE DN 6X3 5M	
12	107143088	1	O-RING 18.72X2.62	
13	107143089	1	WATER INLET FITTING FOR PA	



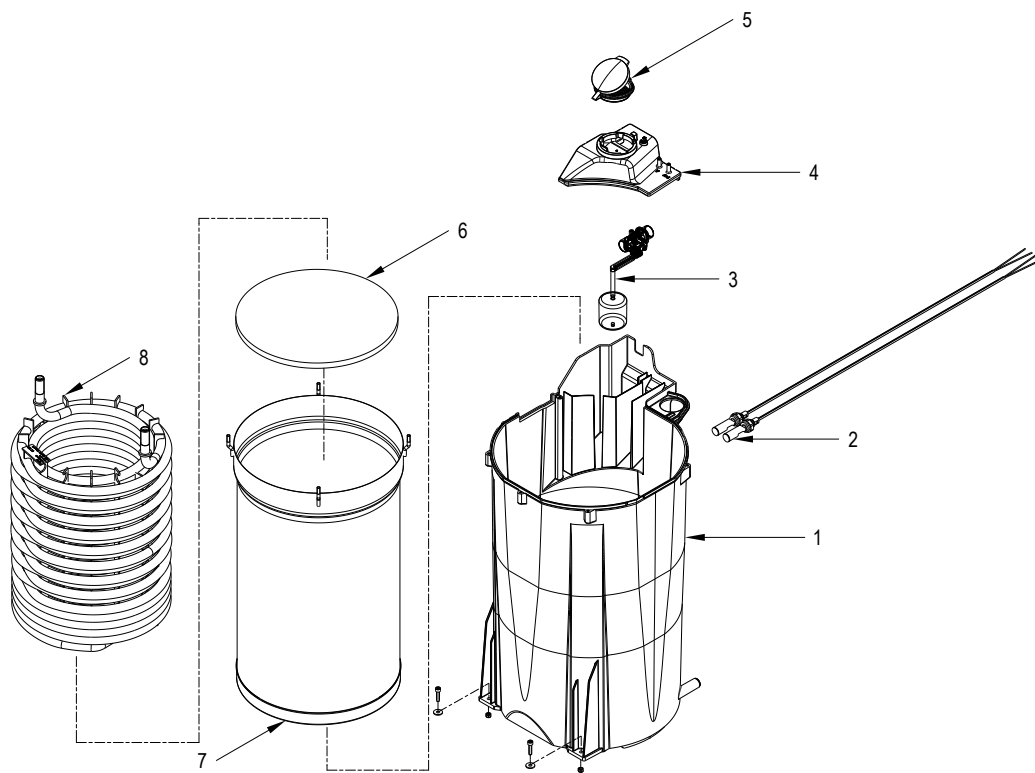
ANTISCALE TANK AND PARTS

MH55M II 220/1100

2026.01.28

2026.01.30

Pos.	Product no	QTY	Description	Notes
1	107148190	1	COVER ?60 FOR DETERGENT BLUE	
2	107143040	1	LEVELSENSOR BRACKET FOR ANTISCALE	
3	101118214	1	FLOAT SWITCH KIT	
4	107143041	1	ANTISCALE TANK CPL.	
5	31001036	1	O-RING 6X2 NBR 70SH	
6	107143037	1	DOSING VALVE RPE 24VAC	
7	107143036	1	HOSE FITTING D6X1/8 PA	
12	107142593	1	HOLDING WASHER PE	



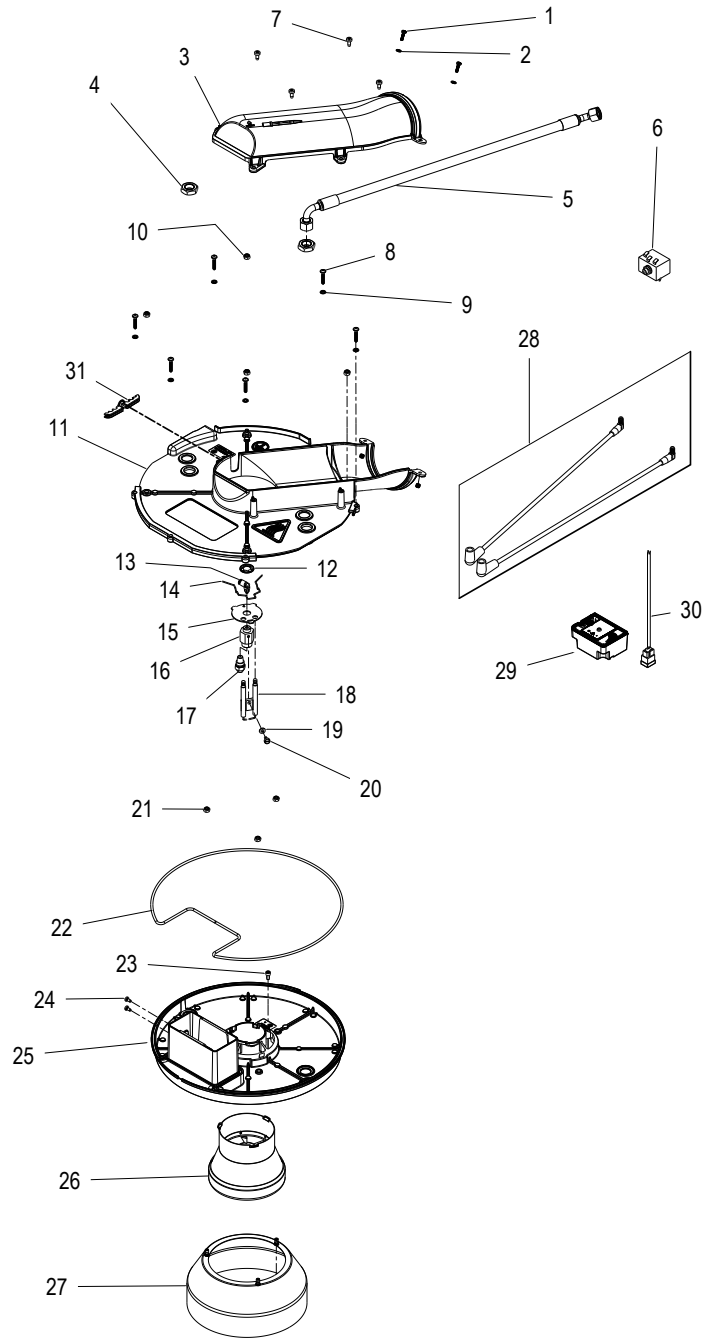
HEAT EXCHANGER BOILER PARTS

MH55M II 220/1100

2026.01.28

2026.01.30

Pos.	Product no	QTY	Description	Notes
1	107148241	1	CONTAINER B5	
2	107148201	2	LEVEL SENSOR WATER LS03-BV16785	
3	107148203	1	FLOAT VALVE 3/4 DN10	
4	107148202	1	LID WATER BREAK TANK	
5	107148207	1	COVER-CAN DETERGENT BLUE	
6	31001421	1		
7	31001412	1		
8	31001409	1		



BURNER UNIT

MH55M II 220/1100

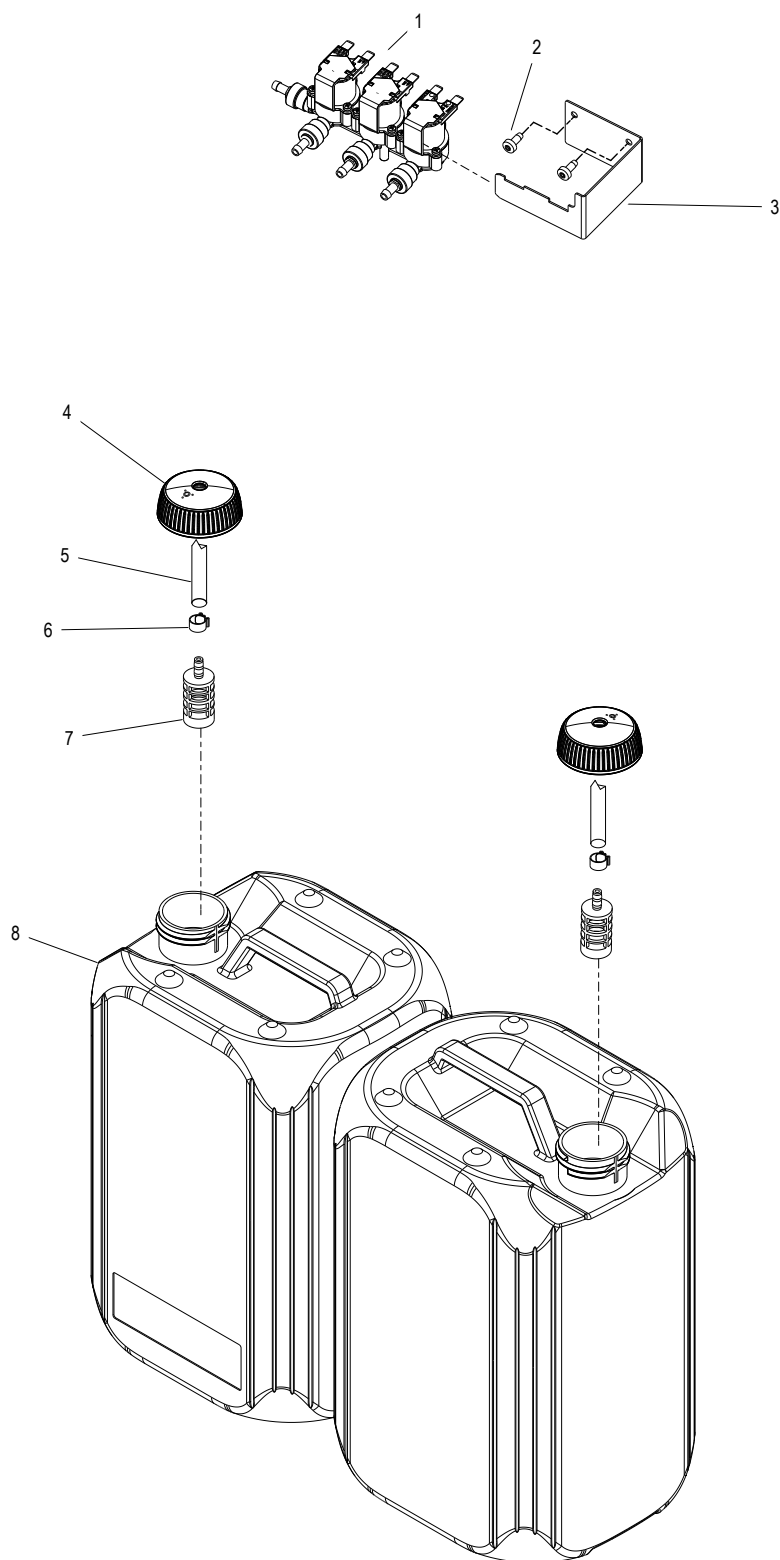
2026.01.28

2026.01.30

Pos.	Product no	QTY	Description	Notes
1	107418912	2	SCREW M4X16 PANHD TX20	
2	107148245	2	WASHER M4 4.3X9X0.8 A2 DIN 125A	
2	107148273	1	LOCK NUT NYLON RING M4 DIN958-8 A2	
3	107148265	1	COVER AIR INLET B5-B7	
4		2		
5	107148199	1	HP HOSE 3/8 DN10	
6	106268028	1	EXHAUST SAFETY THERMOSTAT KIT	
7	107141690	4	SCREW M5X12 DIN7985 TORX TAPTITE	
8	107148254	6	SCREW K50X30 WN1451 FZB TORX	
9	107148255	6	SERRATED WASHER M5 - DIN 6798J - ZN	
10		4		
11	31001420	1		
12	107148251	1	STAR LOCK WASHER ?13	
13	107148270	1	PUSH-IN FITTING AIGNEP 70116 00 002	
14	107148247	1	LOCK CLIP	
15	107148269	1	AIRPLATE NOZZLE-ELECTRODE HOLDER NO. 4	
16	107148268	1	OIL NOZZLE HOLDER	
17	107148267	1	OIL NOZZLE H 1.75 GAL/H 6.55 KG/H 60°	
18	301150009	1	IGNITION ELECTRODE KIT	
19	909100144	1	SPRING WASHER B5	
20	909100143	1	PAN HEAD SCREW M4X 4.5	
21	3136	3	HEXAGON NUT M6	
22	31001423	1		
23	31001416	1		
24	107148082	2	TAP TITE M4X8 DIN 7985 FZB TORX	
25	31001419	1		
26	31001415	1		
27	301001625	1		
28	101118388	1	IGNITION CORDS ASM F. LARGE FRAME	
29	101117759	1	IGNITION TRANSF 220-240 50-60 - DANFOSS	
30	107143098	1	PRIMARY CABLE FOR IGNITION COIL	
31	107148257	1	SEAL FOR EEB WIRES AND HOSE	
NS	101117658	1	IGNITION TRANSFORMER W/CABLES - KIT	[1]
NS	101117660	1	IGNITION TRANSFORMER W/PRIMARY CORD	
NS	107148260	1	SEAL AND PLUG FOR FLAME SENSOR HOLE	

Part Notes:

[1] - USE 101117660 and 1011177



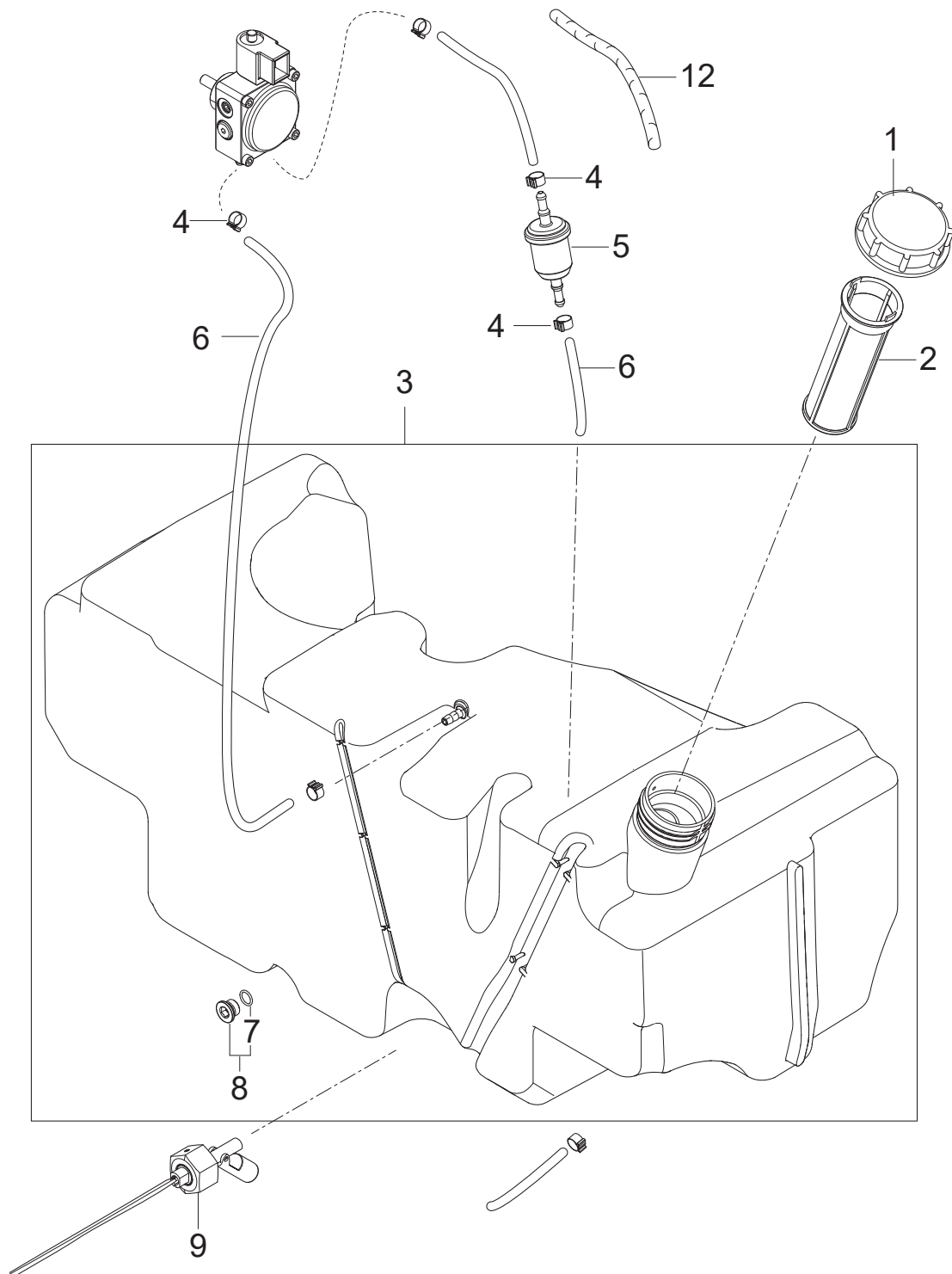
DETERGENT SYSTEM

MH55M II 220/1100

2026.01.28

2026.01.30

Pos.	Product no	QTY	Description	Notes
1	107148184	1	SOLENOID VALVE 3IN 1OUT	
2	107141690	2	SCREW M5X12 DIN7985 TORX TAPTITE	
3	107148177	1	BRACKET FOR SOLENOID VALVE	
4	107148178	1	CAP FOR DETERG. TANK W/VALVE	
5	106408243	5	HOSE 1/4INCH TRANSPARENT - 5 METERS	
6	107148182	7	HOSE CLAMP 10/7	
7	107148181	2	SUCTION STRAINER	
8	107148180	2	CANISTER 10L	



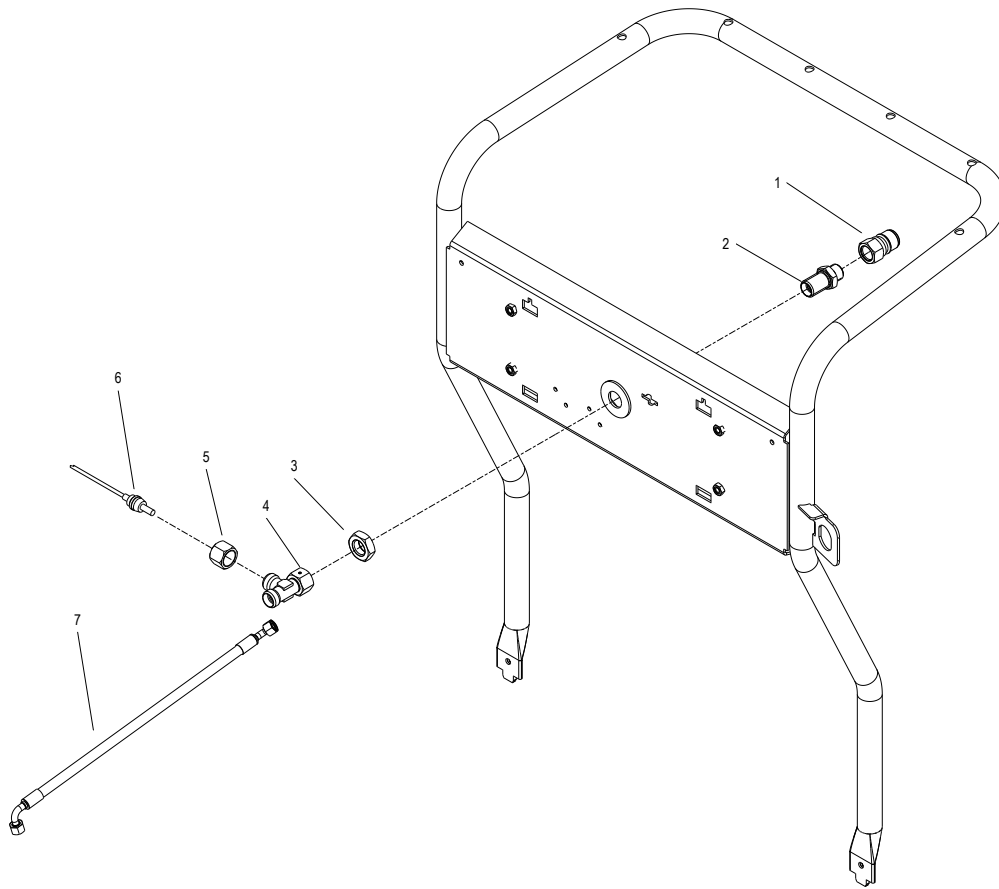
FUEL TANK 30 LITER

MH55M II 220/1100

2026.01.28

2026.01.30

Pos.	Product no	QTY	Description	Notes
1	107143136	1	FUEL TANK 30L	
2	107144862	1	STRAINER Ø49,5X140	
3	107148218	1		
4	107148214	6	HOSE CLAMP W8 D12MM 12,5-14 BIOFU	
5	107143630	1	INLINE FUEL FILTER SPT	
6	107148213	5m	HOSE 6,3 X 12,3MM 5M	
7	107148216	1	O-RING 10,1X1,6 FPM 70SH	
8	107148217	1	PLUG 1/4 INCH + ORING	
9	107148172	1	LEVEL SENSOR FUEL	
12	107143164	1	BEND PROTECTOR	



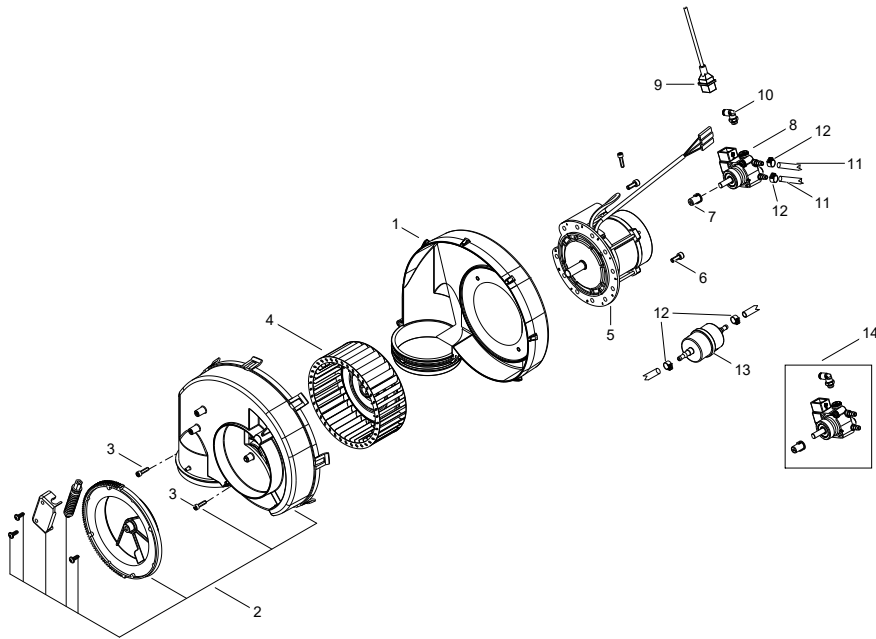
WATER OUTLET PARTS

MH55M II 220/1100

2026.01.28

2026.01.30

Pos.	Product no	QTY	Description	Notes
1	107148221	1	NIPPLE F. Q-COUPLING 3/8INCH HP	
2	107143082	1	OUTLET FITTING	
3	1803220	1	HEXAGON NUT M18X1.5 ISO 8675 ZN	
4	107148220	1	T-FITTING M18 X 1.5 THREAD	
5	1081	1	UNION NUT L12 DIN 3870-A ST/ZN	
6	107143083	1	TEMPERATUR SENSOR PT100 W/CABLE	
7	107148275	1	COLOR STICKER	
	107148199	1	HP HOSE 3/8 DN10	



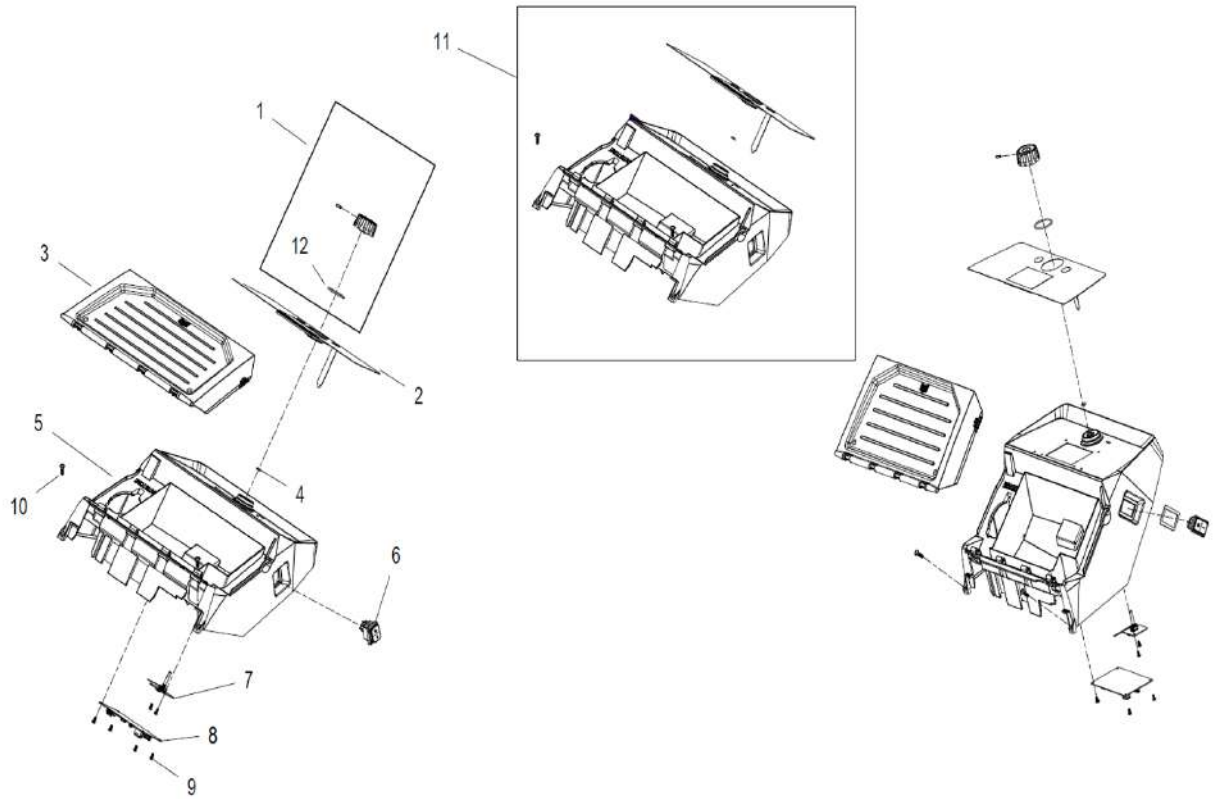
FAN AND FUEL

MH55M II 220/1100

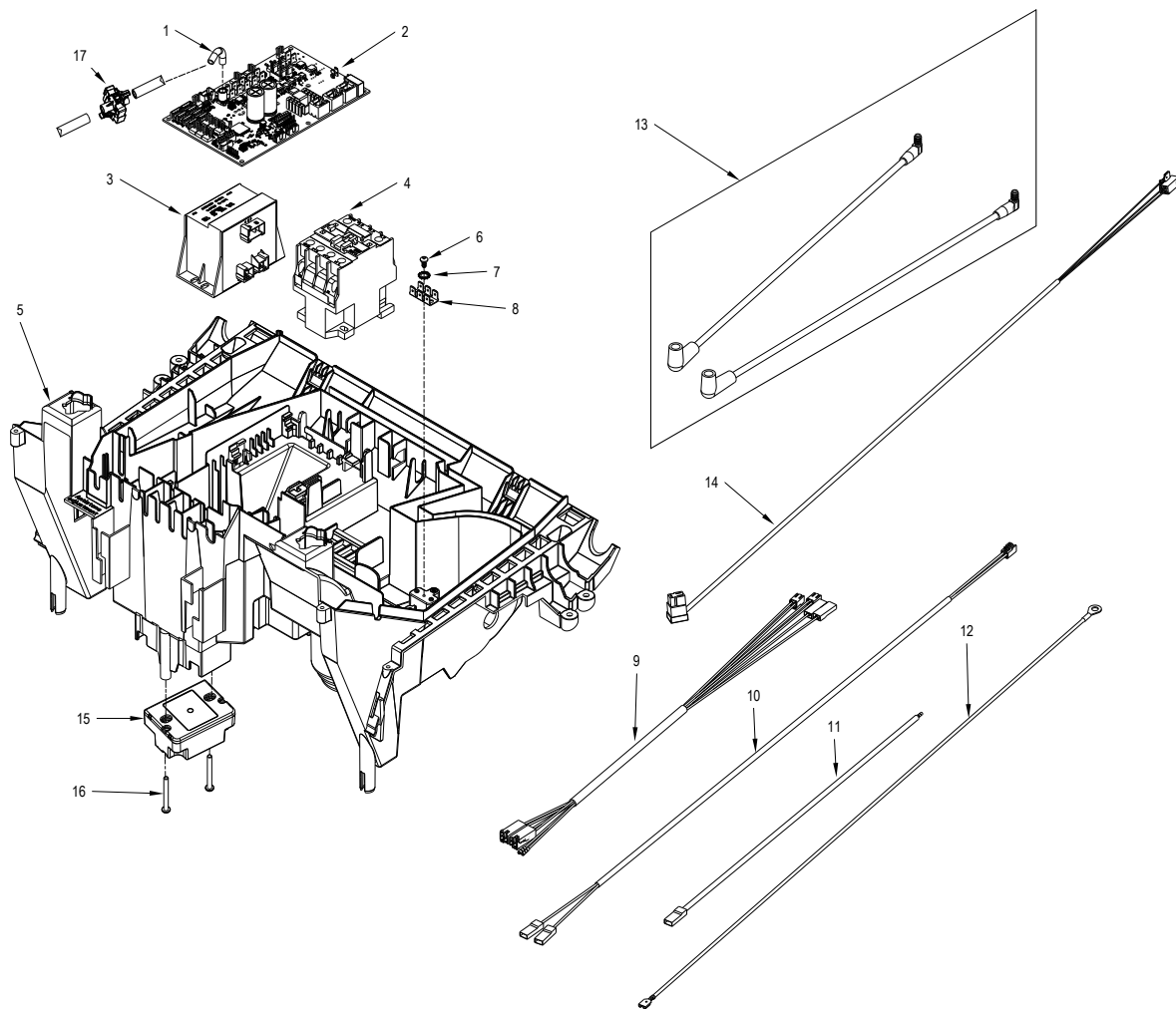
2026.01.28

2026.01.30

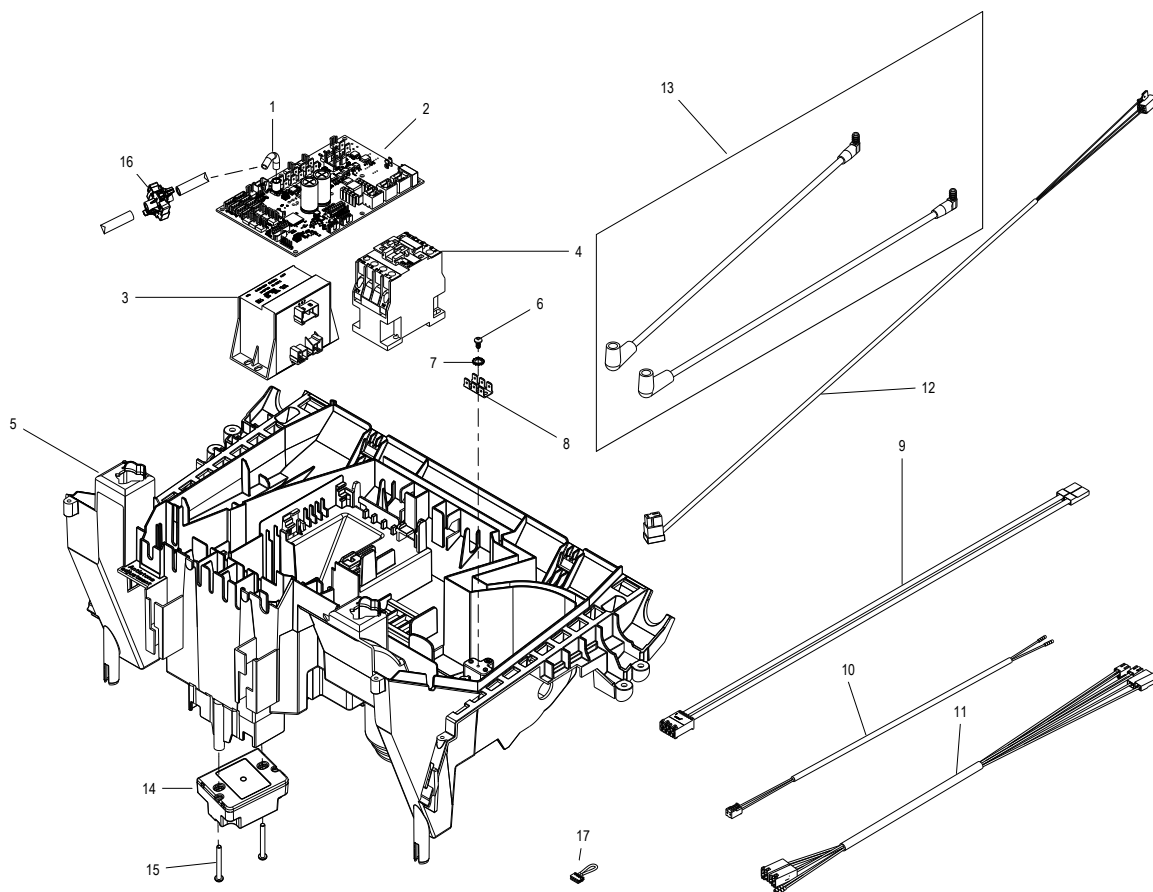
Pos.	Product no	QTY	Description	Notes
1	107148263	1	FAN HOUSE UNIVERSAL	
2	301000852	1	COVER FOR FAN HOUSING	
3		3	SCREW M5X16	
4	107148242	1	FAN WHEEL	
5	107143096	1	MOTOR BURNER - 0.23KW/230V/50HZ/1PH	
6		2	SCREW M6X16	
7	101117707	1	COUPLING FOR OIL PUMP BFA 01 L3L	
8	101118387	1	OIL PUMP BFM B L3R BIO FUEL KIT	
9	107143095	1	CABLE FOR SOLENOID VALVE 2X0.5	
10	107148264	1	PUSH-IN ANGLE FITTING	
11	107148213		HOSE 6,3 X 12,3MM 5M	
12	107148214	6	HOSE CLAMP W8 D12MM 12,5-14 BIOFU	
13	107143630	1	INLINE FUEL FILTER SPT	
14	101118387	1	OIL PUMP BFM B L3R BIO FUEL KIT	



Pos.	Product no	QTY	Description	Notes
1	101118375	1	BUTTON FOR OPERATION KIT	
2	107148186	1	LABEL FOR OPERATION FULL SPEC.	
3	107143046	1	TOOL BOX LID	
4	107148187	1	O-RING 5X2 NBR 70	
5	101118378	1	E-BOX TOP KIT	
6	107404540	1	SWITCH 0-1 DOUBLE POLE SET	
7	107148188	1	PCBA DIAL ENCODER	
8	101118379	1	LCD AND UIC ASSEMBLY	
9		6	SCREW 4X8 WN 1412 STZN	
10		2	SCREW K50X18 WN1451 Black Torx 20	
11	101118378	1	E-BOX TOP KIT	
12	107148185	1	O-RING 35X2.5 NBR 70	



Pos.	Product no	QTY	Description	Notes
1	101117833	0.6 meters	HOSE D3/D5 TRANSPARENT 0.6MM KIT	
2	101118377	1	PCBA NEO PLATFORM 63 CPL	
3	107143051	1	POWER TRANSFORMER 230/400V 2X24V	
4	103822313	1	CONTACTOR CJX2-D25 25A 24V 3P+NO/US	
5	107143062	1	E-BOX BOTTOM	
6	909100046	2	SCREW 4X8 WN 1412 STZN	
7	107143146	1	WASHER SERRATED M6	
8	107307326	1	EARTH CONNECTOR 6 PIN	
9	107143052	1	CABLE FOR POWER TRANSFORMER SEC 6X0.75	
10	107143054	1	WIRE BLACK L=400	
11	107148194	1	GROUNDWIRE H07V-K 1.5MM2 G/Y	
12	107143055	1	CABLE FOR HOT WATER MODE AND EXH. SWITCH	
13	107143059	1	EHR-4 JUMPER	
14	107143098	1	PRIMARY CABLE FOR IGNITION COIL	
15	101118376	1	IGNITION CORDS ASM F. SMALL FRAME	
16	101117759	1	IGNITION TRANSF 220-240 50-60 - DANFOSS	
17	909100149	2	SCREW K50X50 T25 WN1453	
18	101118391	1	NOISE ATTENUATOR	
NS	101118182	1	POWER CORD H07RN 4G2.5X6M GND 6.3X0.8 NO	
NS	107143056	1	CABLE FOR POWER TRAFO PRIM 230V	



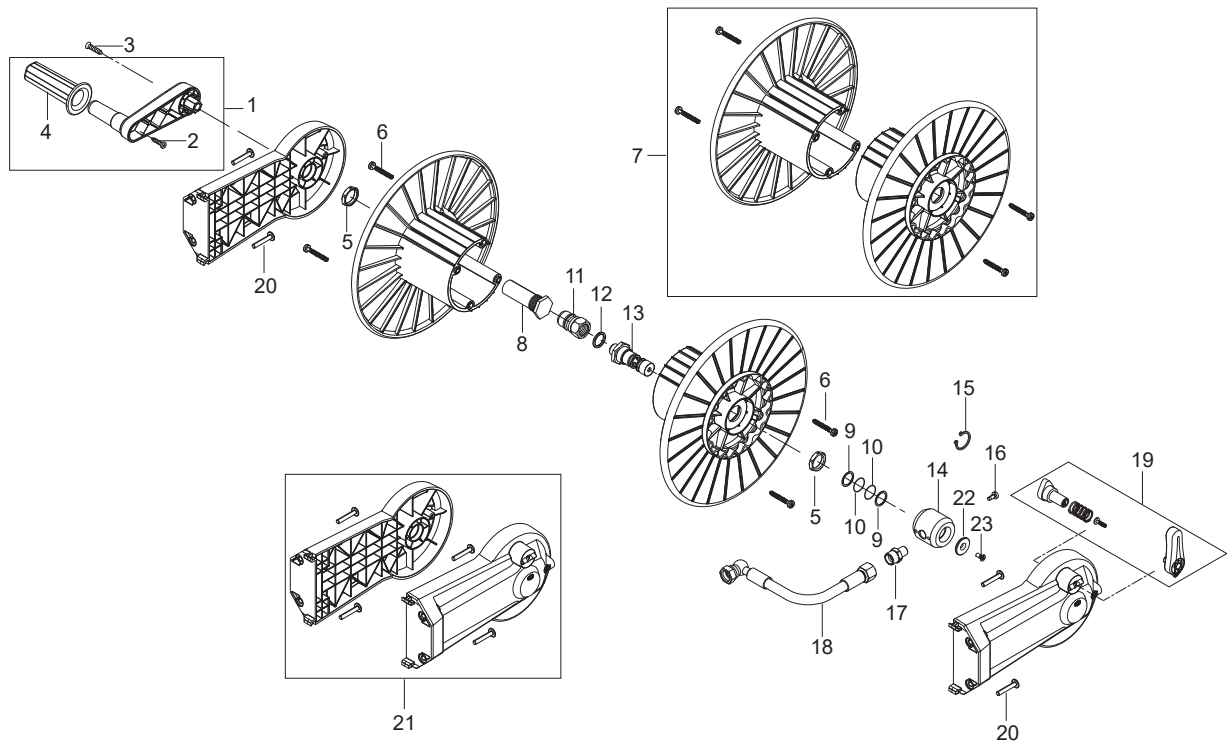
EBOX BOTTOM 2 FOR 107147121

MH55M II 220/1100

2026.01.28

2026.01.30

Pos.	Product no	QTY	Description	Notes
1	31001400	1		
1	101117833	0.6 m	HOSE D3/D5 TRANSPARENT 0.6MM KIT	
2	101118377	1	PCBA NEO PLATFORM 63 CPL	
3	107143051	1	POWER TRANSFORMER 230/400V 2X24V	
4	103822313	1	CONTACTOR CJX2-D25 25A 24V 3P+NO/US	
5	107143062	1	E-BOX BOTTOM	
6	909100046	2	SCREW 4X8 WN 1412 STZN	
7	107143146	1	WASHER SERRATED M6	
8	107307326	1	EARTH CONNECTOR 6 PIN	
9	107143052	1	CABLE FOR POWER TRANSFORMER SEC 6X0.75	
10	107143055	1	CABLE FOR HOT WATER MODE AND EXH. SWITCH	
11	107143056	1	CABLE FOR POWER TRAF0 PRIM 230V	
12	107148194	1	GROUNDWIRE H07V-K 1.5MM2 G/Y	
13	101118376	1	IGNITION CORDS ASM F. SMALL FRAME	
14	107143098	1	PRIMARY CABLE FOR IGNITION COIL	
15	101117759	1	IGNITION TRANSF 220-240 50-60 - DANFOSS	
16	909100149	2	SCREW K50X50 T25 WN1453	
17	101118391	1	NOISE ATTENUATOR	
NS	107143054	3	WIRE BLACK L=400	
NS	101118182	1	POWER CORD H07RN 4G2.5X6M GND 6.3X0.8 NO	



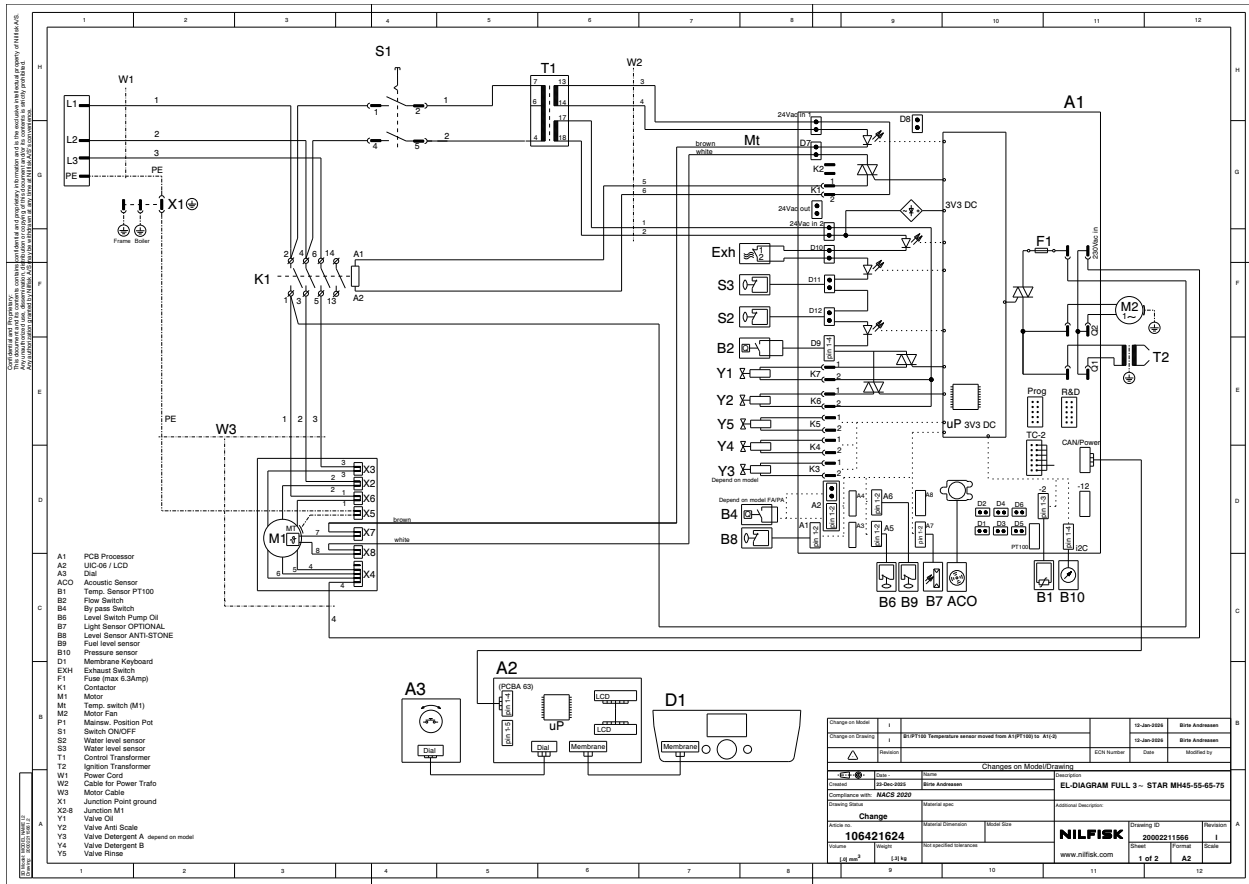
HOSE REEL

MH55M II 220/1100

2026.01.28

2026.01.30

Pos.	Product no	QTY	Description	Notes
1	101118380	1	HANDLE FOR HOSE REEL NILFISK	
2	107141838	1	SCREW K50X18 WN1451 BLACK TORX20	
3	107141673	1	SCREW M6X45 ISO 7380 BLACK TORX	
4	107148219	1	ROTATING HANDLE F .HOSE REEL NILFISK	
5	62696	2	HEXAGON NUT M24X1.5X6	
6	909100153	4	SCREW 6X40	
7	101118209	1	HOSE REEL SIDE KIT	
8	107141675	1	AXLE FOR HOSE REEL	
9	107143017	1	BACK-UP RING	
10	19620	2	O-RING 15.54X2.62 NBR 70SH	
11	107148221	1	NIPPLE F. Q-COUPLING 3/8INCH HP	
12	1801075	1	PACK.RING D23.8XD14.96 3/8NBR SELF-CENT.	
13	107143123	1	SWIVEL FOR HOSE REEL	
14	101118317	2	BEARING BUSH KIT	
15	1802057	1	CIRCLIP EXTERNAL 20X1.2 STEEL. DIN 471	
16	107141690	1	SCREW M5X12 DIN7985 TORX TAPTITE	
17	54590	2	FITTING XGE12L 1/4NPT	
18	107143114	1	CONNECTION HOSE DN8 FOR HOSE REEL	
19	101118389	1	HANDLE FOR HOSE REEL BRAKE NILFISK	
20	107143010	4	SCREW M6X35	
21	101118208	1	HOSE REEL ADAPTOR KIT	
22	107143125	1	WASHER 25 FOR COUNTERSUNK M5	
23	107143124	1	COUNTERSUNK M5X12 ISO 14581	



WIRING DIAGRAM FOR 107147107 + 107147108 + 107147109

MH55M II 220/1100

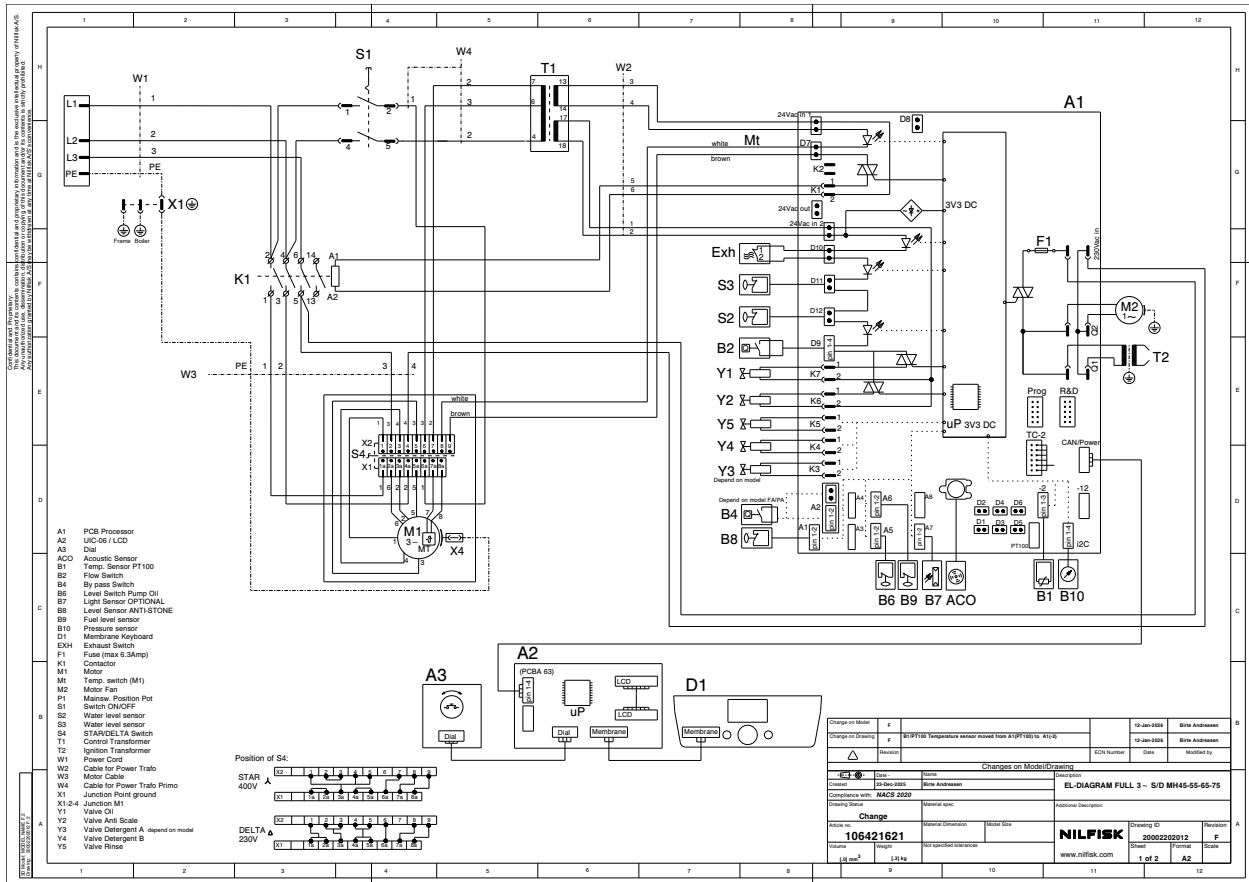
2026.01.28

2026.01.30

Pos.	Product no	QTY	Description	Notes
B4	103830548		Cable grey FA-VH 2X0,5/21AWG	
B4	103830528		Reed Switch NO w/cable	
B6	107306346		Oil sensor container rectangular	
M1	103830552		Motor cable 5G1.5 3~star MH4, MH5-200	
MT	103830517		Cable grey RSB-VH 2X0,5/21AWG	
B2	103830528		Reed Switch NO w/cable	
Y2	102202537		Dosing valve RPE 24Vac	
B8	107141741		FLOAT SWITCH LS01 10VA (wire=725mm)	
S3	103823064		Level sensor LS03-1A85-PP-500W	
S2	103823064		Level sensor LS03-1A85-PP-500W	
M2	107142331		Motor Burner - 0,23kW/230V/50Hz/1ph	
Y1	103830526		Cable for solenoid valve 2X0.5mm2	
T2	301002505		IGNITION CORD RED	[1]
T2	103830308		Primary cable for ignition coil	
Y5	103830656		Cable for dispenserCable 2X1 FA-FA for detergent	
Y3/Y4	103830656		Cable for dispenserCable 2X1 FA-FA for detergent	
B9	103823033		Level Sensor f. BioFuel LS03-1A66-PA	
B1, PT100	107144482		Temperatur SENSOR PT100 w/cable	
A3(dial) to A2(dial)	103830668		FFC Cable	
A2 to A1(CAN)	103830658		CAN BUS Cable	
B10	103823046		Pressure Transducer	
T1/K1(A1+A2)	103830408		Cable for Power Transformer SEC 6X0.75	
Exh	103830523		Cable grey FA-VH 2X0,5/21AWG	
K1, 1	103830522		Wire black RS-FA 16AWG	

Part Notes:

[1] - GUARANTEE DATE EXPIRED



WIRING DIAGRAM FOR 107147121

MH55M II 220/1100

2026.01.28

2026.01.30

Pos.	Product no	QTY	Description	Notes
B4	103830528		Reed Switch NO w/cable	
B6	107306346		Oil sensor container rectangular	
S4	103830529		Motor cable 5G2.5 3~	
Mt	103830517		Cable grey RSB-VH 2X0,5/21AWG	
B2	103830528		Reed Switch NO w/cable	
Y2	102202537		Dosing valve RPE 24Vac	
B8	107141741		FLOAT SWITCH LS01 10VA (wire=725mm)	
S3	103823064		Level sensor LS03-1A85-PP-500W	
S2	103823064		Level sensor LS03-1A85-PP-500W	
M2	107142331		Motor Burner - 0,23kW/230V/50Hz/1ph	
Y1	103830526		Cable for solenoid valve 2X0.5mm2	
T2	301002505		IGNITION CORD RED	[1]
T2 (boiler)	103830667		IGNITION CORD red	
T2	103830308		Primary cable for ignition coil	
Y5	103830656		Cable for dispenser	
Y3/Y4	103830656		Cable for dispenser	
B9	103823033		Level Sensor f. BioFuel LS03-1A66-PA	
B1, PT100	107144482		Temperatur SENSOR PT100 w/cable	
A3(dial) to A2(dial)	103830668		FFC Cable	
A2 to A1(CAN)	103830658		CAN BUS Cable	
B10	103823046		Pressure Transducer	
T1/K1(A1+A2)	103830408		Cable for Power Transformer SEC 6X0.75	
Exh	103830523		Cable grey FA-VH 2X0,5/21AWG	
K1(5)	103830522		Wire black RS-FA 16AWG	

Part Notes:

[1] - GUARANTEE DATE EXPIRED

