

MAC INTERNATIONAL  
**SPARE PARTS LIST**

MAC **LUX**



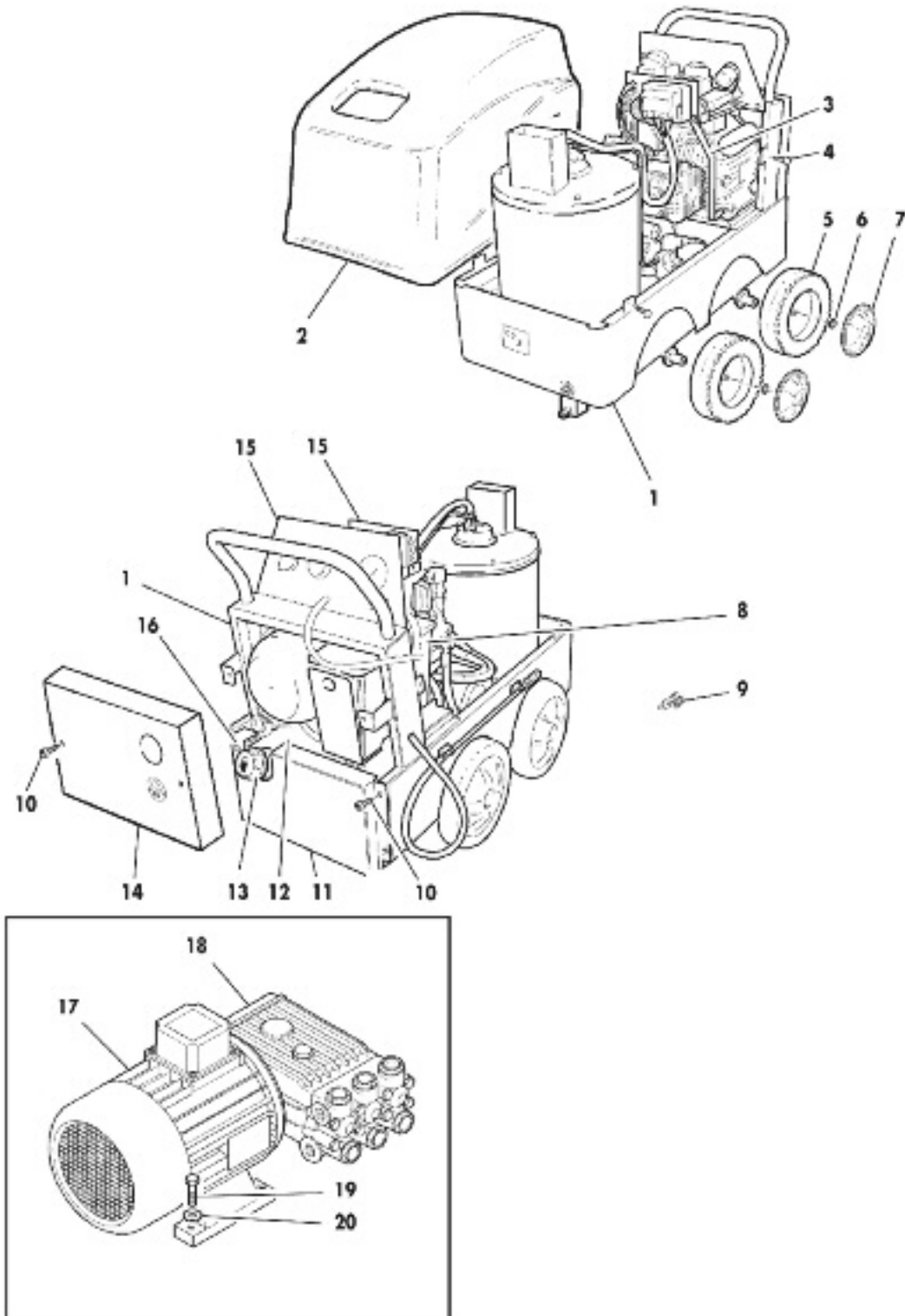
# MAC LUX

## TAB 1

Position	Code	Qty	Description
1	10.000.057	1	Painted Steel Frame
2	10.000.074	1	Stainless Steel Cover
3	N.D.R	1	Support
4	20.000.042	4	Screw
5	10.000.109	4	Wheel
6	10.000.027	4	Wheel Clip
7	10.000.209	4	Wheel Cap
8	10.000.043	1	Water Tank
9	10.000.010	2	Chemical Pipe Clip
10	20.000.047	4	Screw
11	N.D.R	1	Fuel Tank Panel
12	10.000.009	1	Fuel Tank
13	10.000.012	1	Fuel Tank Cap
14	N.D.R	1	Steel Rear Panel
15	N.D.R	1	Control Panel
16	70.000.116	1	Orange Low Fuel Warning Light
17	60.000.006	1	3hp, 2.2kw Motor (11/100)
18	30.000.026	1	W98 Pump (11/100)
19	20.000.046	4	Screw
20	20.000.027	4	Washer

# MAC LUX

## TAB 1



# MAC LUX

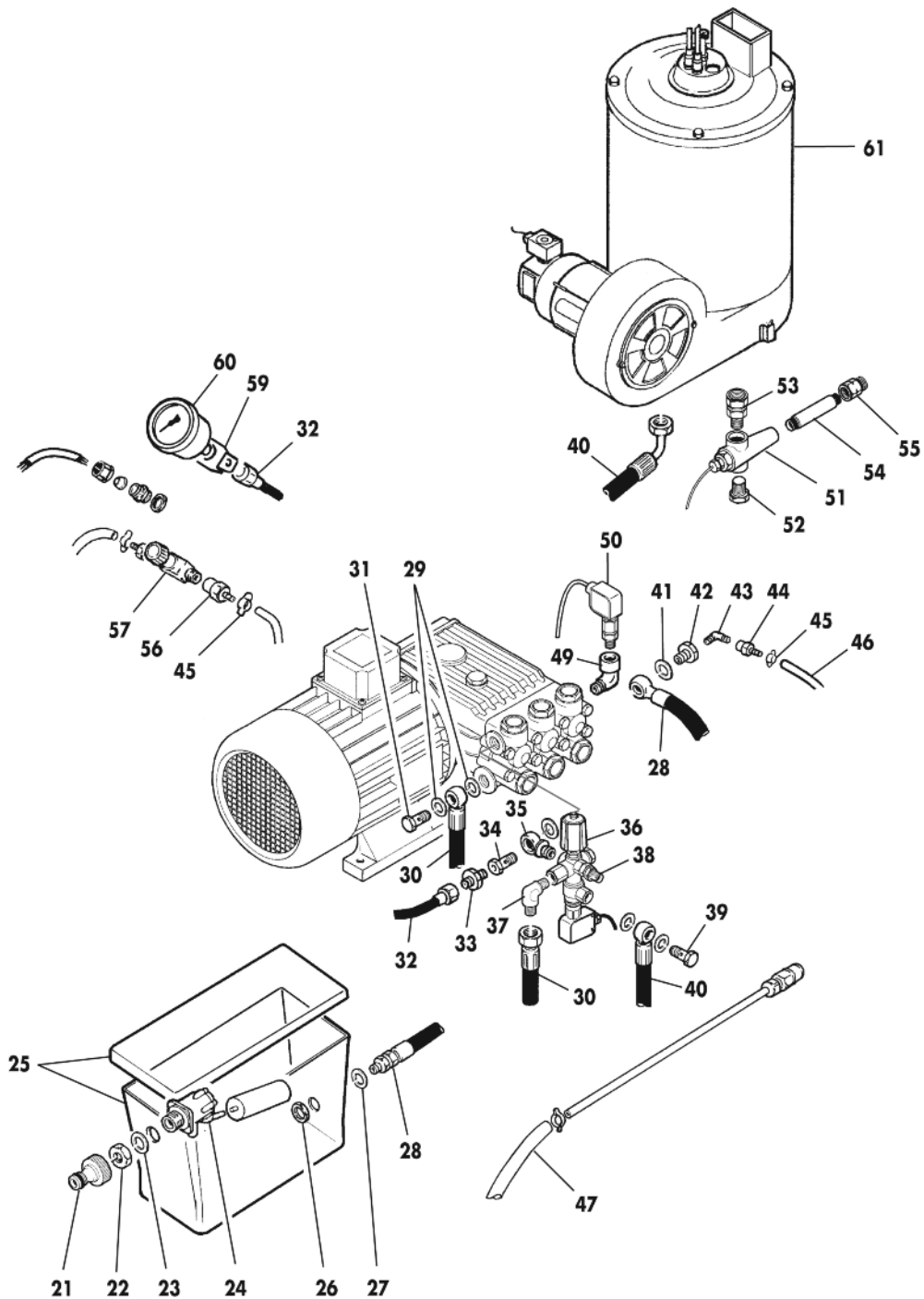
## TAB 2

Position	Code	Qty	Description
21	20.000.000	1	Hose Fitting
22	N.D.R	1	Reduction Coupling 3/8
23	N.D.R	1	Washer
24	40.000.111	1	Water Float Valve
25	10.000.043	1	Water Tank
26	20.000.222	1	Reduction 1/2
26	20.000.022	1	Reduction 3/8
27	20.000.006	1	Washer 3/8
28	90.000.059	1	Water Hose
29	20.000.003	2	Washer 1/2
30	90.000.059	1	By Pass Hose 11 lt
31	20.000.005	1	Bolt With Hole 1/2
32	90.000.035-HD	1	Pressure Gauge Hose (Heavy Duty)
	90.000.035-AD	1	Pressure Gauge Hose (Adaptor)
33	20.000.014	1	Nipple 1/4
34	20.000.049	1	Bolt With Hole 3/8-1/4
35	20.000.063	1	Eye 3/8
36	40.000.015	1	MV550 Unloader Valve (With Switch)
37	20.000.011	1	Elbow Coupling 3/8 MM
38	40.000.031	2	Safety Valve - Mignon
39	20.000.007	1	Bolt With Hole 3/8
40	90.000.054	1	Delivery Hose
41	20.000.003	1	Washer 1/2
42	20.000.052	1	Bolt With Hole 1/2-1/4
43	20.000.034	1	Elbow Coupling 1/4 MM
44		1	Detergent Suction Hose
45		1	Detergent Suction Hose
46			
47	90.000.038	1	Detergent Suction Hose + Filter
49	20.000.0139	1	Elbow Coupling 3/8 M x 1/4 F
50	70.000.035	1	Pressure Switch - Mignon 1/4 40 Bar
51	40.000.011	1	Thermostat Holder
52	20.000.502	1	Plug 3/8 Brass
53	20.000.012	1	Fitting - 3/8 MF
54	20.000.015	1	Extension Pipe
55	90.212.120	1	Quick Coupling
55	90.263.131	1	Quick Coupling M22x14
57	40.000.035	1	Chemical Valve
59	40.000.046	1	Pressure Gauge Support - 63mm diameter

# MAC LUX

## TAB 2

Position	Code	Qty	Description
60	40.000.019	1	Pressure Gauge - 63mm diameter
61	50.000.101	1	Complete M1 Boiler



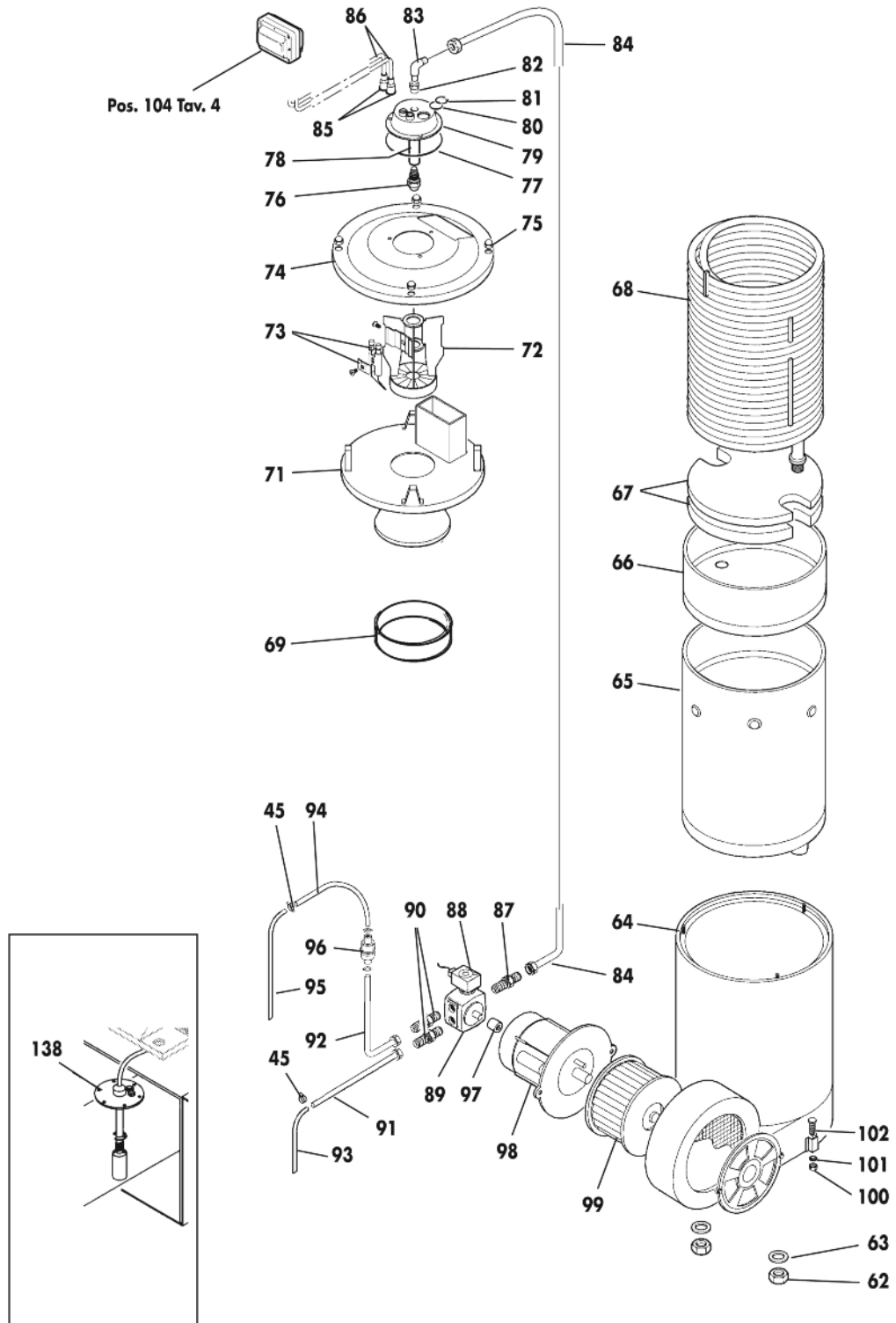
# MAC LUX

## TAB 3

Position	Code	Qty	Description
45	90.000.011	1	Clip
62	20.000.022	1	Nut
63	20.000.021	2	Washer
64	50.000.034	1	Boiler Body
65	50.000.037	1	Boiler Liner
66	50.000.004	1	Cement Refractory
67	50.000.005	1	Refractory Disk – NO LONGER AVAILABLE
68	50.000.040	1	M1 Coil
69	50.000.007	1	Boiler Ring
71	50.000.032	1	Lower Boiler Head
72	50.000.010	1	Deflector
73	50.000.011	1	Electrode
74	50.000.012	1	Boiler Upper Head
75	20.000.025	4	Nut M6
76	50.000.013	1	Burner Nozzle
77	50.000.015	1	Gasket
78	50.000.014	1	Burner Nozzle Holder
79	50.000.016	1	Cover
80	50.000.017	1	Flame Window
81	50.000.018	1	Seeger Clip
82	20.000.024	1	Coupling
83	20.000.019	1	Elbow Coupling
84	90.000.048	1	Complete Gas Oil Copper Pipe
85	50.000.025	1	HT Caps
86	70.000.018	2	HT Leads
87	20.000.020	2	Coupling
88	50.000.024	1	24v Fuel Solenoid
89	50.000.023	1	Fuel Pump
90	90.000.014	2	Nipple
45	90.000.076	1	Complete Fuel Suction Pipe – 94-95
45	90.000.077	1	Complete Fuel Suction Pipe – 93-91
96	50.000.019	1	Fuel Filter
97	50.000.022	1	Fuel Pump Drive Coupling
98	50.000.059	1	Burner Motor 240V
99	50.000.035	1	Burner Motor Fan
100	20.000.097	3	Nut
101	20.000.044	3	Washer
102	20.000.099	3	Screw
138	70.000.022	1	Low Level Fuel Sensor

# MAC LUX

## TAB 3



# MAC LUX

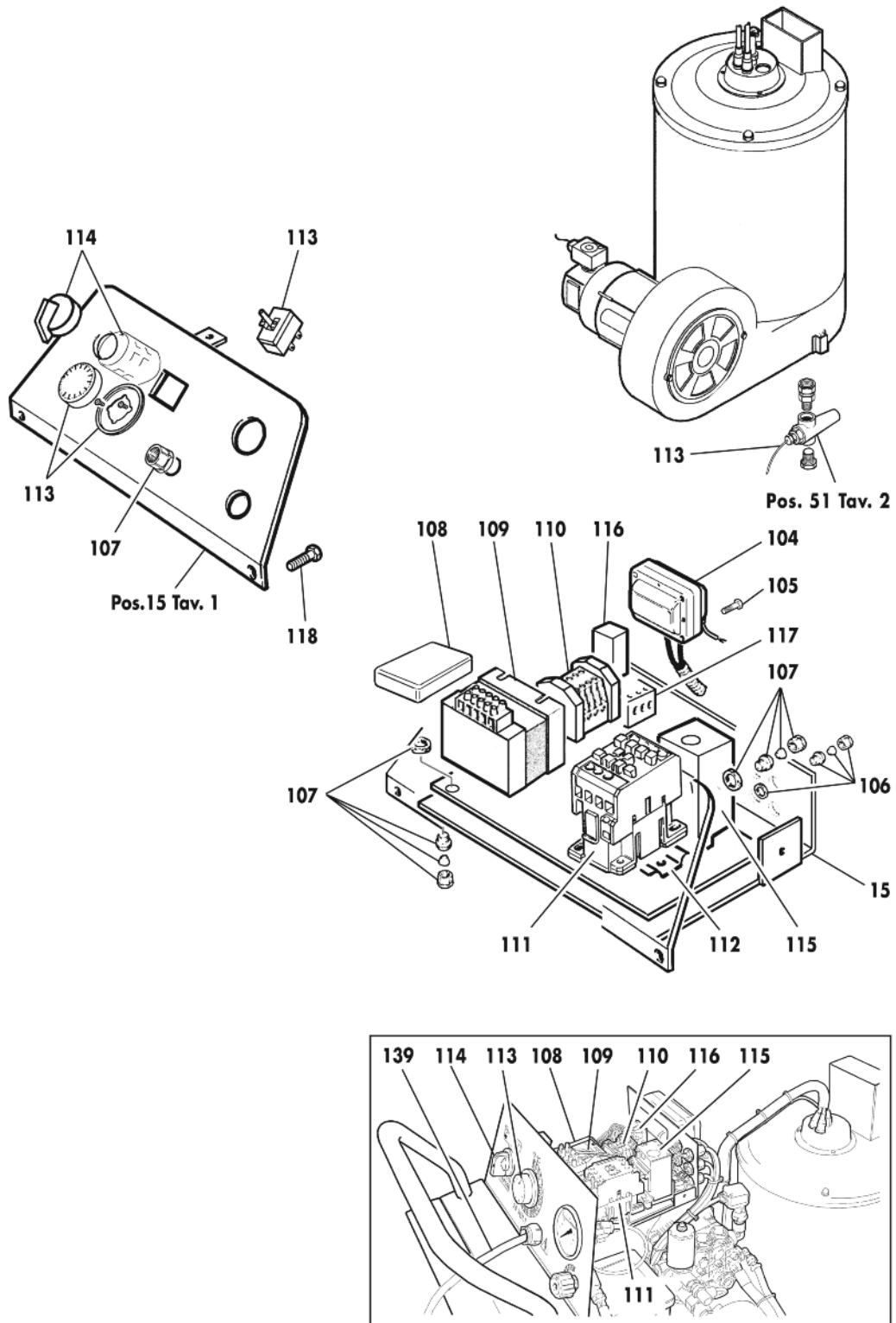
## TAB 4

Position	Code	Qty	Description
104	70.000.119	1	Fida HT Transformer (new type)
-	10.000.990	1	Fixing plate required for above transformer
105	20.000.148	1	Screw
106	70.000.003	5	Cable Gland
107	70.000.001	1	Cable Gland
108	70.000.011	1	PCB / Electronic Card
109	70.000.010	1	24v Step Down Transformer
110	70.000.024	1	Terminal Box
111	70.000.009	1	Contacteur
112	70.000.007	1	Bar
113	70.000.014	1	Thermostat
114	70.000.044	1	On/Off Switch
115	70.000.042	1	Thermic Switch 12-17A
115	70.000.043	1	Thermic Switch 6.3-12A
116	70.000.054	1	Relay 24v
117	70.000.055	1	Relay Base
118	20.000.047	2	Screw
139	70.000.020	1	Cable 3x2.5 (mt 5)
139	70.000.021	1	Cable 3x2.5 (mt 5)



# MAC LUX

## TAB 4



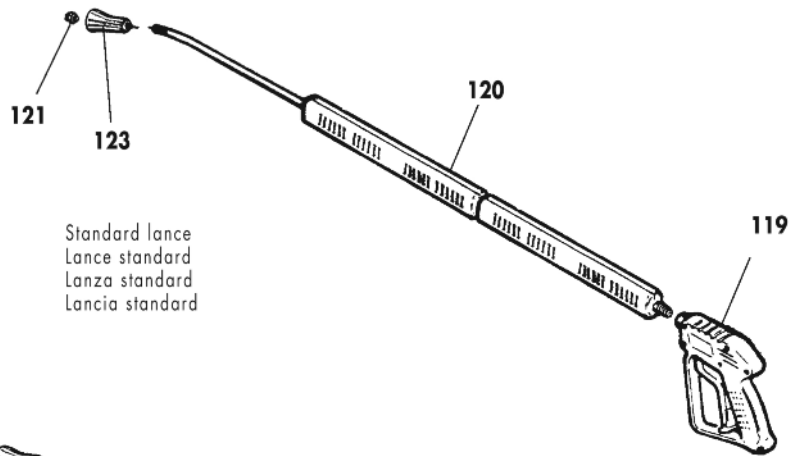
# MAC LUX

## TAB 5

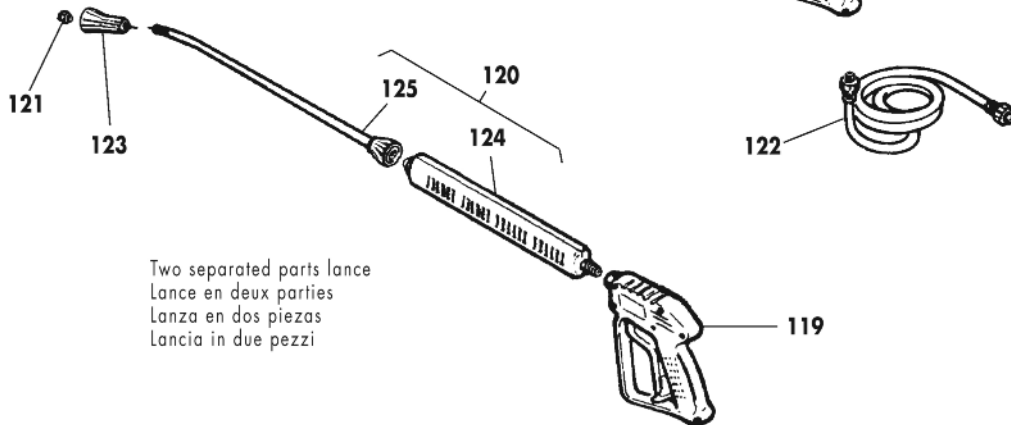
Position	Code	Qty	Description
119	<b>GUN2</b>	1	Standard Washgun
120	<b>80.000.002</b>	1	1200mm Standard Lance
120	<b>80.000.006</b>	1	700mm Half Lance
120	<b>80.000.005</b>	1	900mm Half Lance
120	<b>80.000.007</b>	1	1500mm Half Lance
120	<b>80.000.008</b>	1	1700mm Half Lance
120	<b>80.000.010</b>	1	1200mm Half Lance
121	<b>JET3</b>	1	High Pressure Jet
122	<b>HOSE1</b>	1	10mt High Pressure Hose
123	<b>80.000.003</b>	1	Nozzle Protector
124	<b>80.000.029</b>	1	Insulating Handle
125	<b>80.000.104</b>	1	120cm Lance End
126	<b>LANCE1</b>	1	Twin Lance

# MAC LUX

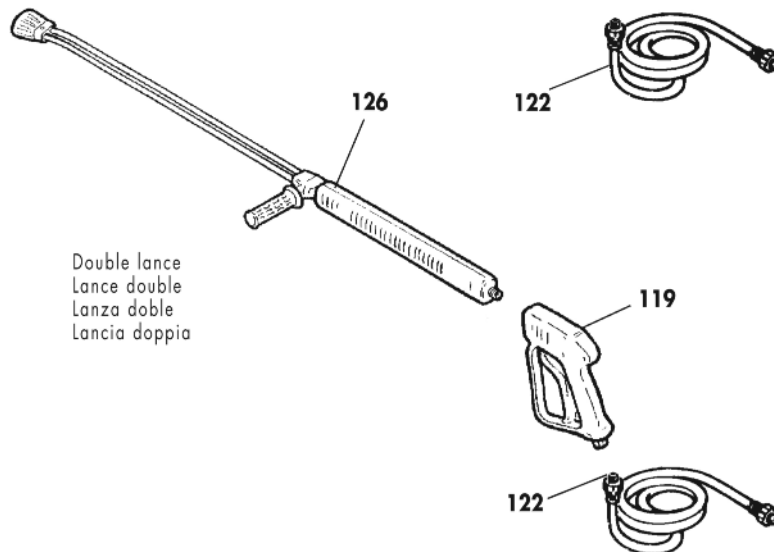
## TAB 5



Standard lance  
Lance standard  
Lanza standard  
Lancia standard



Two separated parts lance  
Lance en deux parties  
Lanza en dos piezas  
Lancia in due pezzi



Double lance  
Lance double  
Lanza doble  
Lancia doppia